

VINTAGE AERO PARTS



PARTS CATALOG

AND
MECHANICS HANDBOOK
FOR
R755, W670 & R680

RADIAL AIRCRAFT ENGINES

New & Reconditioned
Motor Parts

9550 W. Seward Rd.
Guthrie, OK 73044
(405) 433-2263 • Fax (405) 433-2202
www.radialengines.com

January 2001

INDEX

CONTINENTAL W670 PARTS.....	3
LYCOMING R680 PARTS.....	15
JACOBS R755 PARTS.....	34
JACOBS R915 PARTS.....	47

CONDITIONS AND TERMS

PRICES

Prices on all new and overhauled parts are FOB Guthrie, OK. Merchandise is packed and crated without charge, unless special crates must be made up, as for very heavy or bulky parts. Such crates are crated at cost. Prices are subject to change without notice and are subject to stock on hand. It is seldom, however, that we are unable to deliver promptly at catalog prices.

QUALITY

Customers are assured of the highest quality obtainable and the best of workmanship on all new parts, and are further assured of the finest inspection and most careful reconditioning of all used parts. All parts listed with condition as OHC are overhauled and certified and will be supplied with a yellow tag.

TERMS

We can ship by UPS COD or U.S. Postal Service COD. Prepayment with your order will save you COD charges. We also accept Visa, MasterCard and Discover. If you need your parts quickly, we can ship Next Day Air or Second Day Air.

RETURNS

All unused parts are returnable within 30 days for a complete refund.



**80% Cotton 20% Polyester
Sweatshirt With Embroidered Logo
Available in Navy Blue
Size XXL
Price: \$26.50**



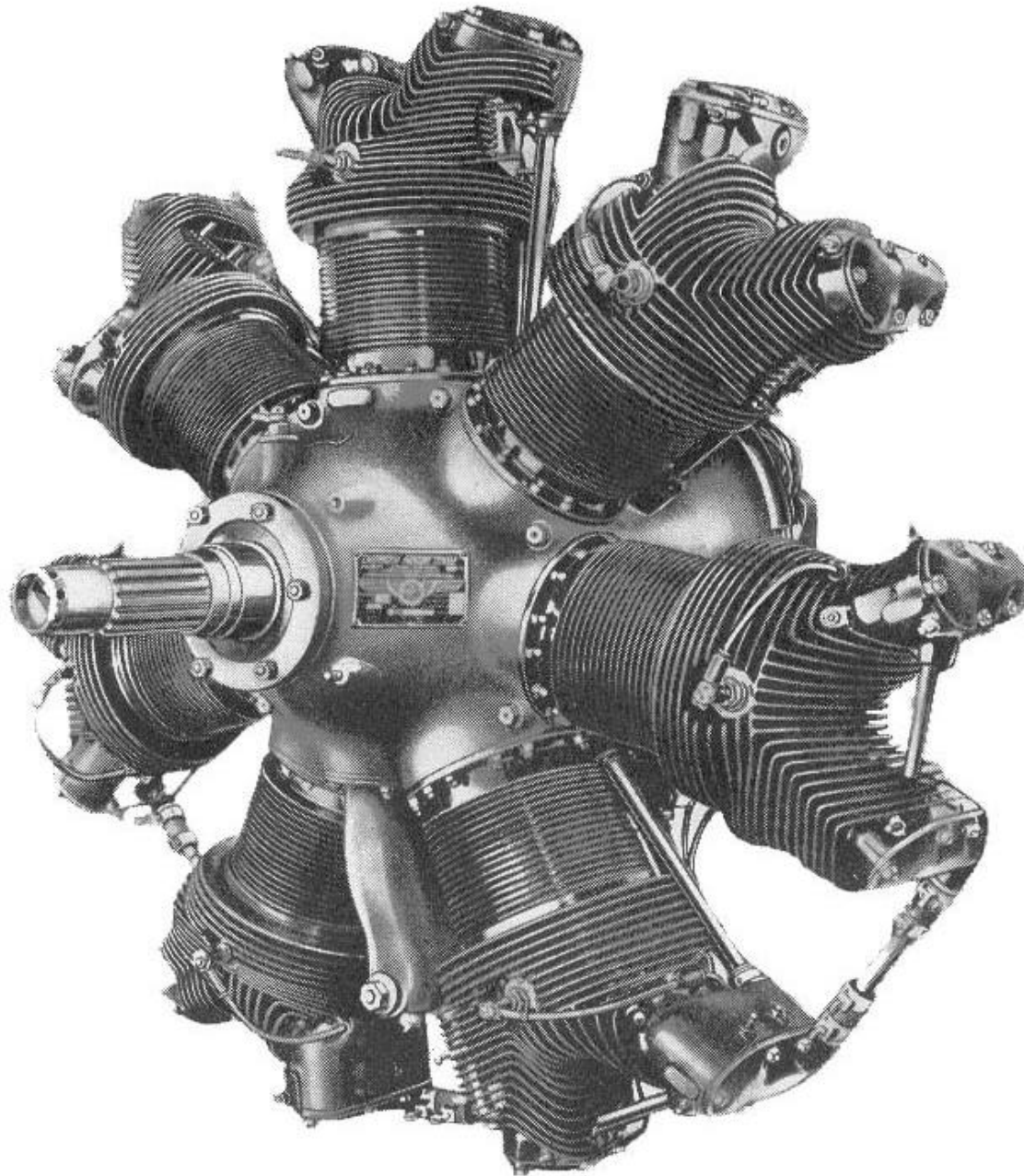
**100% Cotton Twill Polo
With Embroidered Logo
Available in Navy Blue or Kaeki
Size XL
Price: \$22.00**



**100% Cotton T-shirt
With Embroidered Logo
Available in Navy Blue
Size XL
Price: \$18.00**



**Cotton Twill Ball Cap
Available in Kaeki
One Size Fits All.
(Clamp Style Adjustment Strap)
Price: \$16.00**



CONTINENTAL W670

CONTINENTAL W670

TABLE OF SPECIFICATIONS

CONTINENTAL W670

TOP OVERHAUL CYLINDER KIT

Includes the following:

- (7) cylinders (steel, chrome, or nuchrome) overhauled complete with valves, springs, and rocker arms - certified and yellow tagged.
- New piston ring set.
- Top overhaul gasket and hose set.

PRICES

Channel chrome cylinder \$4555.00 Exchange

Nuchrome cylinders 4695.00 Exchange

Models covered.....W670-6N, -17, -11A, -6A

Rated horsepower.....220 @ 2075 rpm

Bore & Stroke.....5.125 x 4.625"

Compression Ratio.....5.4 : 1

Weight.....approx. 485 lb. (dry)

Magneto timing.....32BTDC-right/29 BTDC-left

Oil Pressure.....minimum. idle 15-20 psi
normal idle 60-70 psi
maximum idle 90 psi

Firing Order.....1 - 3 - 5 - 7 - 2 - 4 - 6

Master rod location.....#1 cylinder

Valve clearance......010" cold intake & exhaust

Maximum oil outlet temperature.....200 F

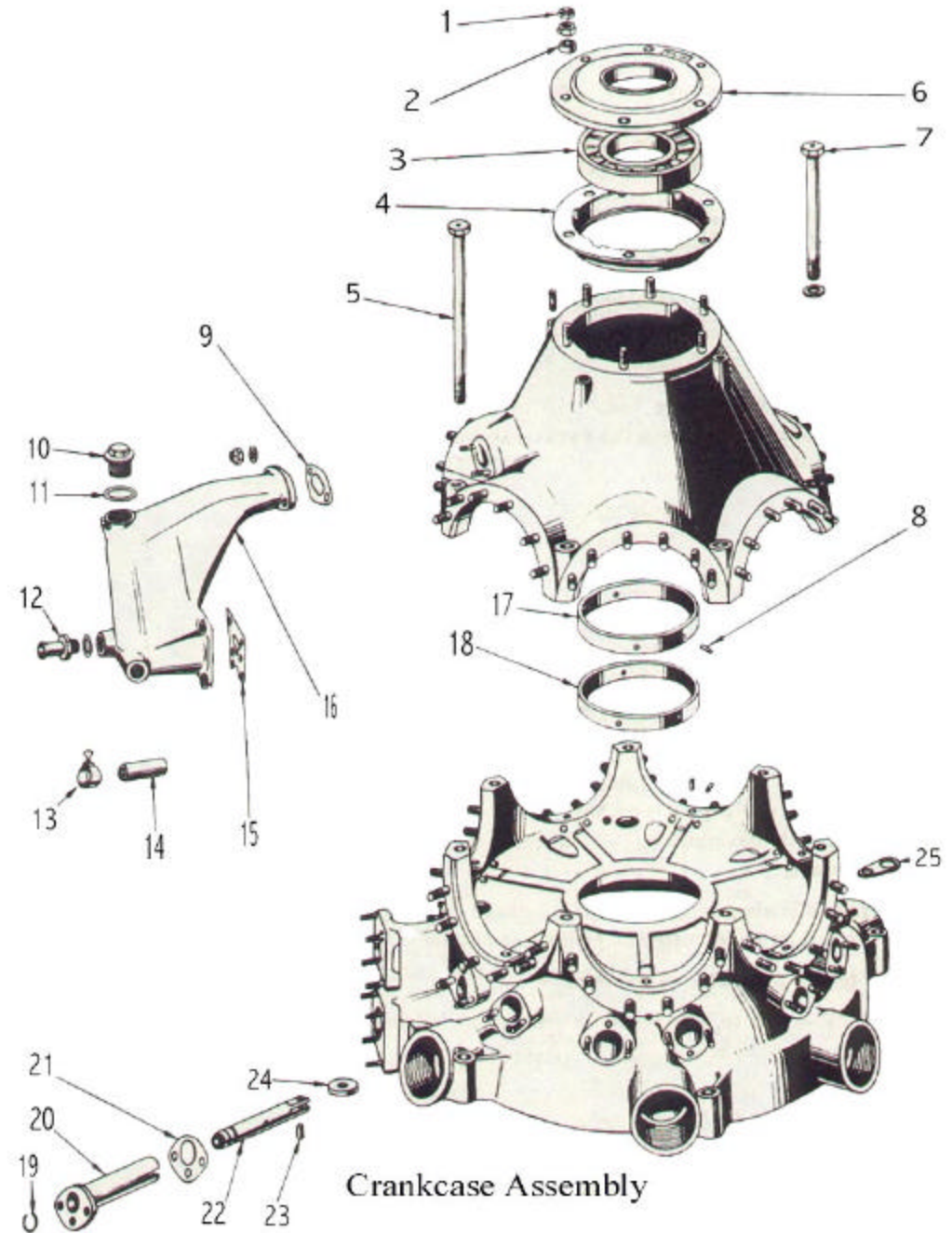
Valve timing.....(set clearance #1 cylinder @ .124" cold)

Exhaust open @ 49 BBC
Exhaust closes @ top dead center
Intake opens @ 4 ATC
Intake closes @ 21 ABC

Spark plug gap......016" +.002" or -.001"

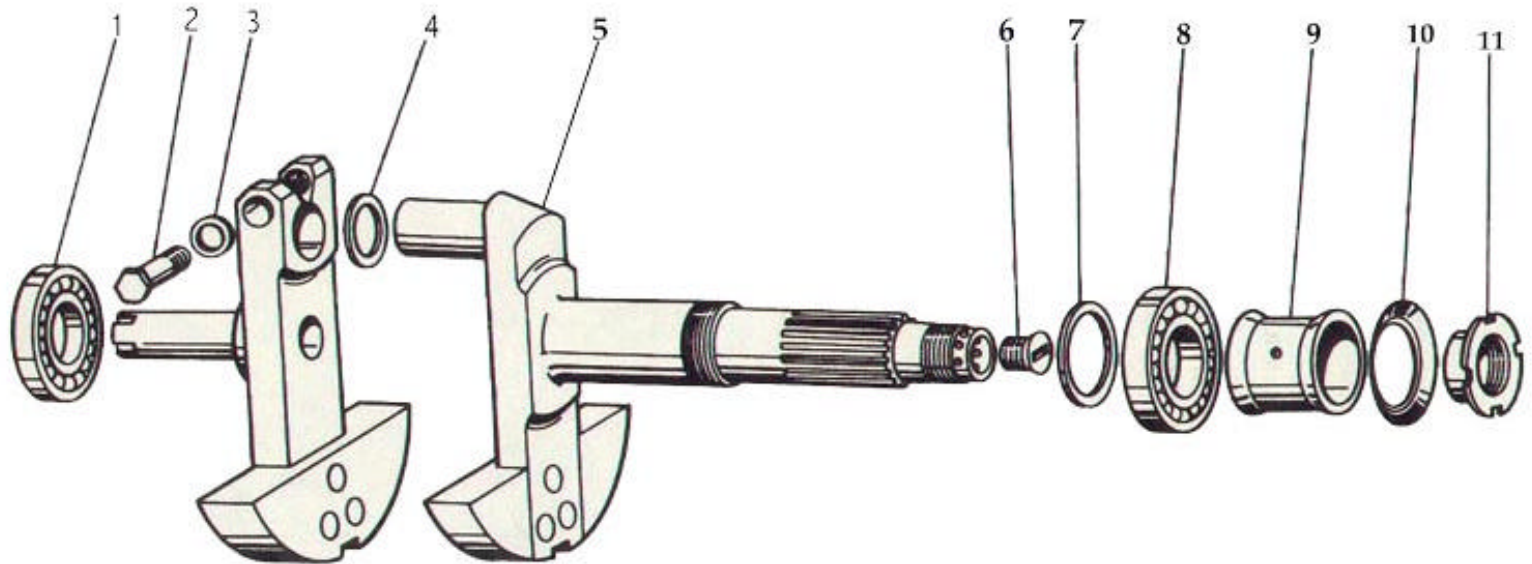
W670 CONTINENTAL ENGINE PARTS

<u>Fig.#</u>	<u>Part No.</u>	<u>Description</u>	<u>Condition</u>	<u>Price</u>
<u>CRANKCASE ASSEMBLY</u>				
1	2561	Pal nut	New	.31
2	20245	Spacer	New	1.05
3	2542	Thrust bearing	New	95.00
4	35204	Cage, thrust bearing	OHC	295.50
5	20997	Bolt (long)	New	13.95
6	35106	Cover, thrust bearing	OHC	94.50
7	2835	Bolt, (short)	New	15.25
8	2520	Pin, bearing liner	New	1.15
9	20951	Gasket, sump front	New	2.25
10	22826 (1-20)	Plug, oil screen	New	19.80
10	20877 (1-18)	Plug, oil screen	New	19.80
11	AN900-16	Crush gasket	New	1.95
12	20273	Nipple	New	9.45
13	745-2A	Hose Clamp		
14	20275	Hose	New	3.75
15	20952	Gasket, sump rear	New	2.25
16	5522	Oil sump	OHC	54.00
17	3005	Liner - front	New	82.15
18	3006	Liner - rear	New	82.15
19	20294	Circlip - tappet	New	1.20
20	3360	Tappet guide	OHC	8.25
21	20268	Gasket, tappet guide	New	1.80
22	A20292	Tappet	OHC	18.75
23	20255	Pin - tappet roller	New	5.60
24	2129	Tappet roller	RNE	10.75
24	2027	Lifting eye	New	2.90
25	A6447	Case - main power	OHC	1050.00



CRANKSHAFT ASSEMBLY

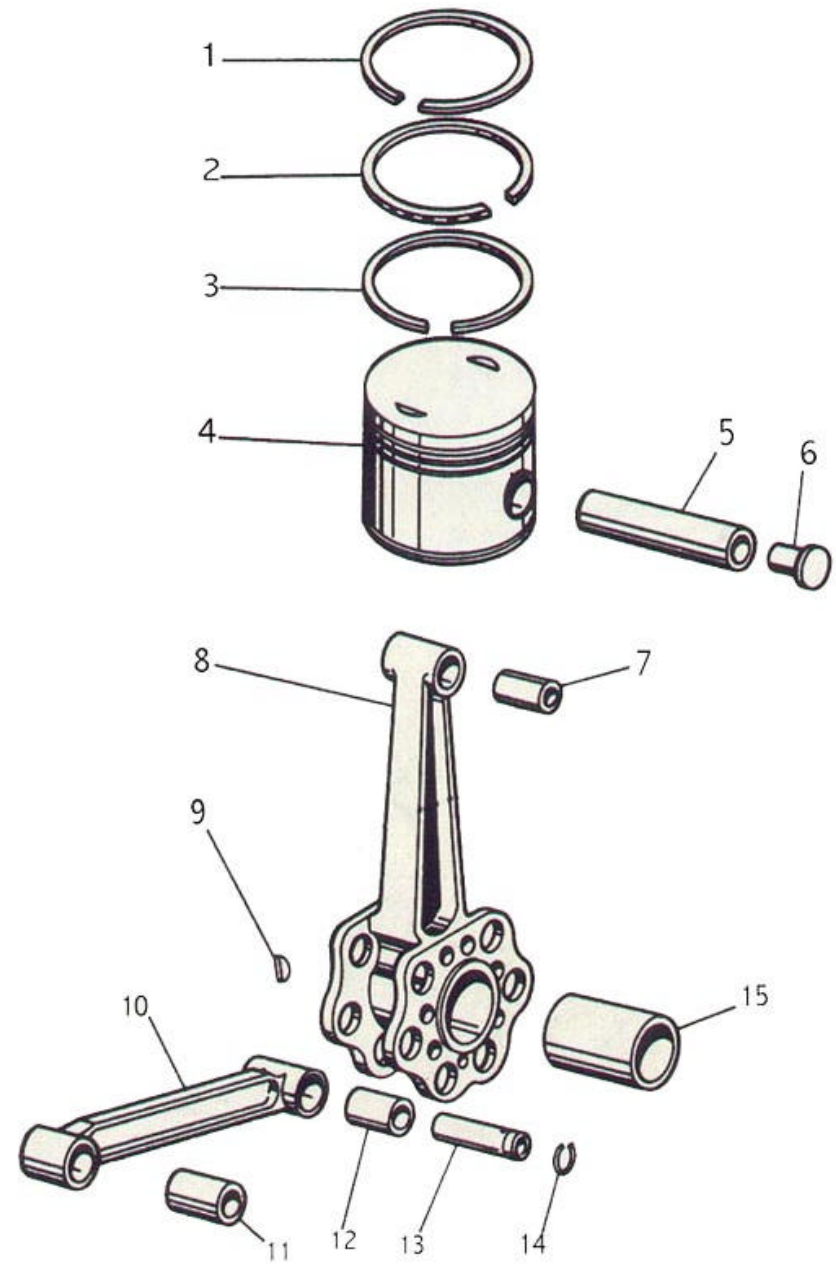
1	20428	Rear main bearing	New	51.26
2	2050	Bolt, crankshaft clamp	New	26.07
3	2052	Washer, crankshaft clamp bolt	New	4.19
4	24752	Spacer, crankpin	OHC	28.35
5	A5180	Crankshaft assembly	OHC	3465.00
6	20278	Plug, crankshaft front	New	12.60
7	2053	Washer, front main bearing	New	8.05
8	2542	Bearing, front main & thrust	New	95.00
9	22986	Spacer, front main bearing	New	60.30
10	2045	Thrower, oil	New	18.77
11	2057	Thrust nut (plain)	New	18.75
12	35461	Thrust nut (flanged)	New	71.55



Crankshaft Assembly

W670 CONTINENTAL ENGINE PARTS

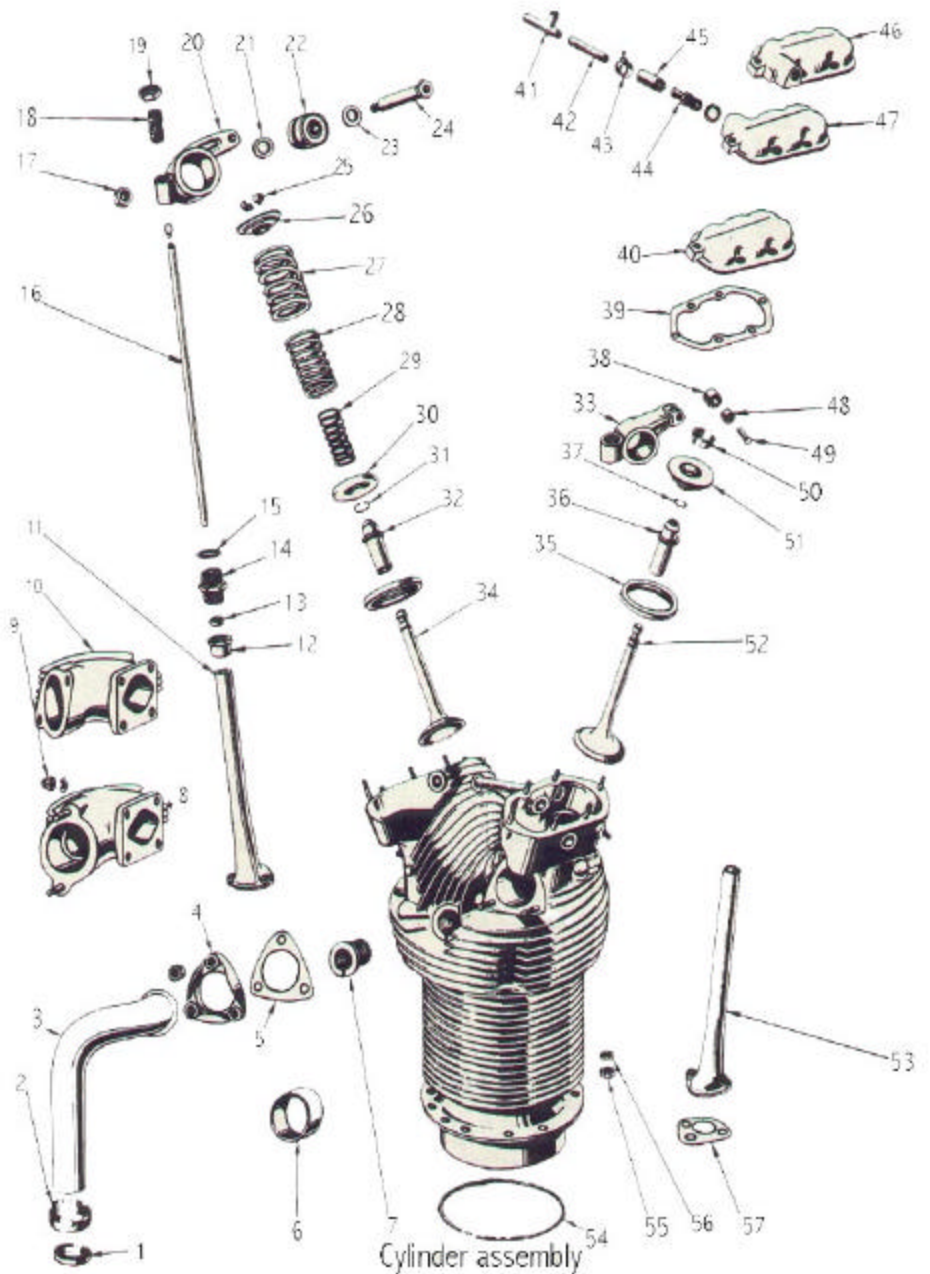
<u>Fig.#</u>	<u>Part No.</u>	<u>Description</u>	<u>Condition</u>	<u>Price</u>
<u>PISTONS, MASTER ROD & LINK RODS</u>				
1	22208	Ring, compression	New	7.95
2	22209	Ring, oil control	New	7.95
3	22210	Ring, oil scraper	New	7.95
4	4177	Piston	OHC	175.00
5	20260	Piston pin	New	18.50
6	20261	Piston pin plug	New	3.83
7	2110	Bushing, piston pin	New	5.36
8	C-5071	Master rod with bearing	New	850.00
9	2219	Key - knuckle pin	New	1.19
10	A3192	Link rod	New	33.26
11	2110	Bushing, piston pin	New	5.36
12	2859	Bushing, knuckle pin	New	6.75
13	A23152	Knuckle pin	New	18.80
13	A23152	Knuckle pin +.001	New	24.50
14	2860	Circlip, knuckle pin	New	1.58
15	23524	Bearing, master rod	New	625.00
	A22208	Ring set, Std, +10, +20	New	195.00
	Cont-1	Single cylinder ring set	New	29.00



Master and Articulated Rod Assembly

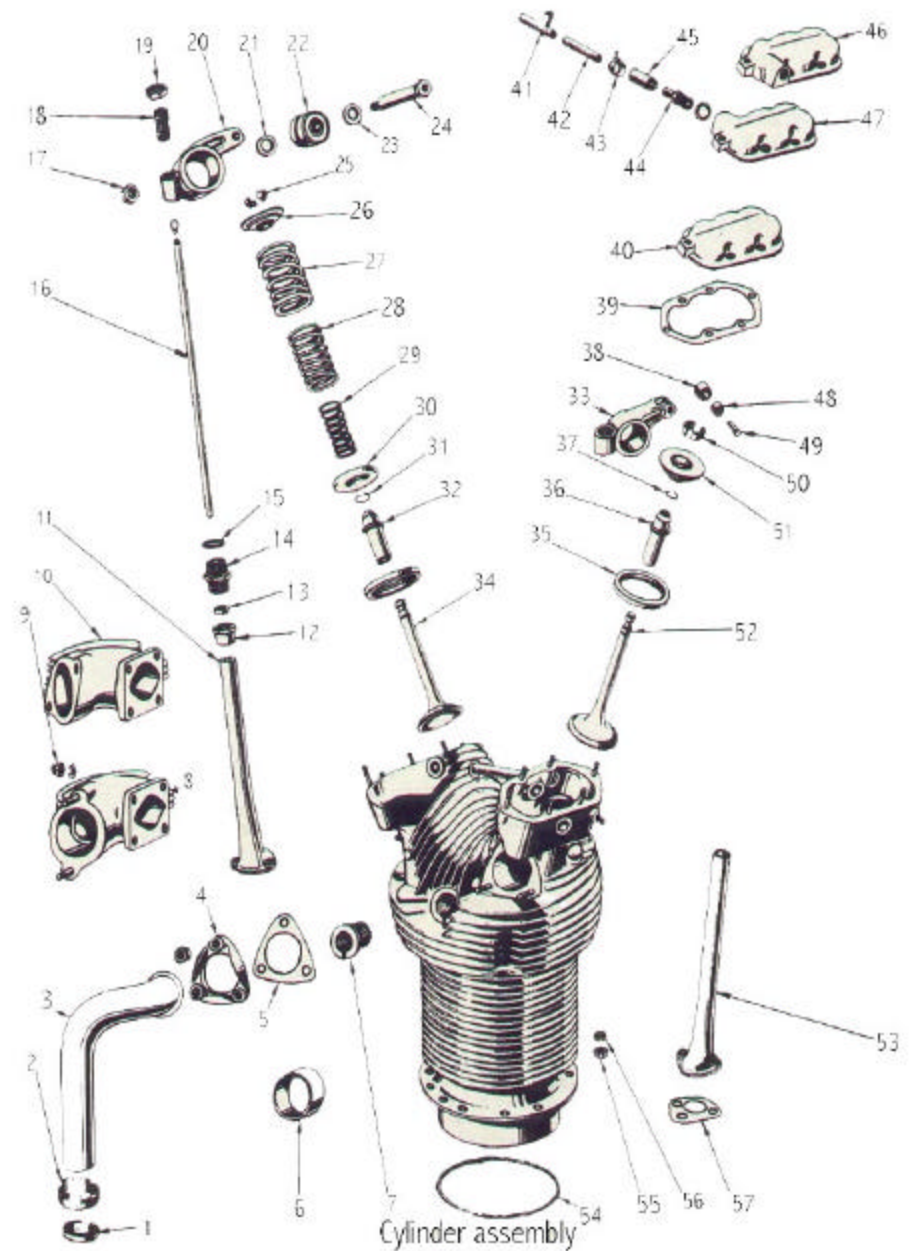
CYLINDER ASSEMBLY

<u>Fig.#</u>	<u>Part No.</u>	<u>Description</u>	<u>Condition</u>	<u>Price</u>
	A-5198	Cylinder stud assembly	OHC	350.00
	A-5198-C	Cylinder stud assy. Chrome	OHC	405.00
	A-5239	Cylinder w/valves and rockers	OHC	495.00
1	2096	Packing,intake pipe	New	1.70
2	2833	Nut - intake packing gland	New	1.75
3	4173	Intake pipe	OHC	13.05
4	2834	Flange - intake pipe	New	5.85
5	2827	Gasket - intake pipe	New	1.70
6	20277	Liner - exhaust elbow	New	9.85
7	2002	Bushing - spark plug	New	5.85
8	A3930	Exhaust elbow - 65 degree	OHC	28.50
9	2463	Nut - brass castle (exhaust)	New	.85
10	A3930	Exhaust elbow - 90 degree	New	40.50
11	B20263	Housing - exhaust pushrod	OHC	6.30
12	20516	Nut - pushrod housing gland	New	4.45
13	20266	Packing - pushrod tube	New	1.70
14	20515	Retainer - pushrod housing	New	4.45
15	AN900-16	Crush gasket	New	1.95
16	20267	Push rod assembly	New	13.95
17	2152	Nut - rocker arm shaft	New	2.65
18	20252	Screw - valve adjusting	New	6.10
19	20253	Nut - valve adjusting screw	New	3.75
20	A3993-A1	Rocker arm—exhaust w/bearing	New	62.10
21	20251	Washer-rocker arm inner	New	9.45
22	20250	Bearing - rocker arm	New	14.35
23	2157	Washer - rocker arm outer	New	1.50
24	20249	Shaft - rocker arm	New	19.15
25	20399	Lock - exhaust valve	New	4.05/pr
26	3292	Seat - exhaust valve spring	New	4.05
27	3840	Valve spring outer	New	6.75
28	20384	Valve spring intermediate	New	4.75
29	20385	Valve spring inner	New	4.75
30	500049	Washer - valve spring	New	3.35
31	20401	Circlip - exhaust valve	New	1.15
32	20400	Guide - exhaust valve	New	21.15
33	A3992-A1	Rocker arm - intake w/bearing	New	62.10
34	3299	Exhaust valve	New	34.74
35	2831	Seat - intake valve	New	23.85



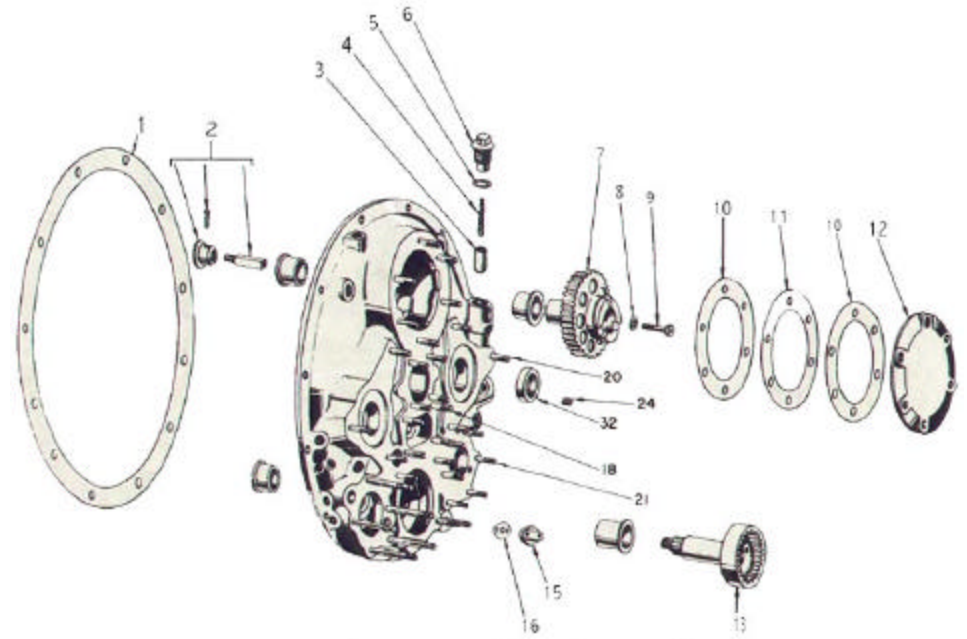
W670 CONTINENTAL ENGINE PARTS

<u>Fig.#</u>	<u>Part No.</u>	<u>Description</u>	<u>Condition</u>	<u>Price</u>
<u>CYLINDER ASSEMBLY (Cont.)</u>				
30	20241	Guide - intake valve	New	16.15
31	20241	Circlip - intake valve	New	1.15
32	2254	Roller - rocker arm	New	8.55
33	20254	Gasket - rocker box cover	New	1.80
34	4722-C	Cover - rocker box (plain)	OHC	11.25
35	3249	Tee - rocker scavage	New	28.15
36	20276	Tube - inter cylinder	New	4.35
37	745-2A	Clamp	New	2.15
38	20273	Nipple - rocker box cover	New	9.45
39	20275	Hose	New	3.75
40	4721-C	Cover - rocker box (w/nipples)	OHC	15.50
41	4720-C	Cover - rocker box (w/nipple)	OHC	15.75
48	2255	Bushing - rocker arm	New	3.55
49	2256	Axle - rocker arm roller	New	3.15
50	20366	Lock - intake valve	New	4.05/pr
51	3271	Seat - intake valve spring	New	4.05
52	20240	Intake valve	New	33.75
53	A20263	Housing - intake pushrod	OHC	6.30
54	2845	O-ring - cylinder base	New	1.75
55	2557	Nut - cylinder base	New	.75
56	2561	Pal nut	New	.30
57	20262	Gasket - pushrod housing	New	1.75
	4723-C	Cover-rocker box (w/rear nipple)	OHC	33.25

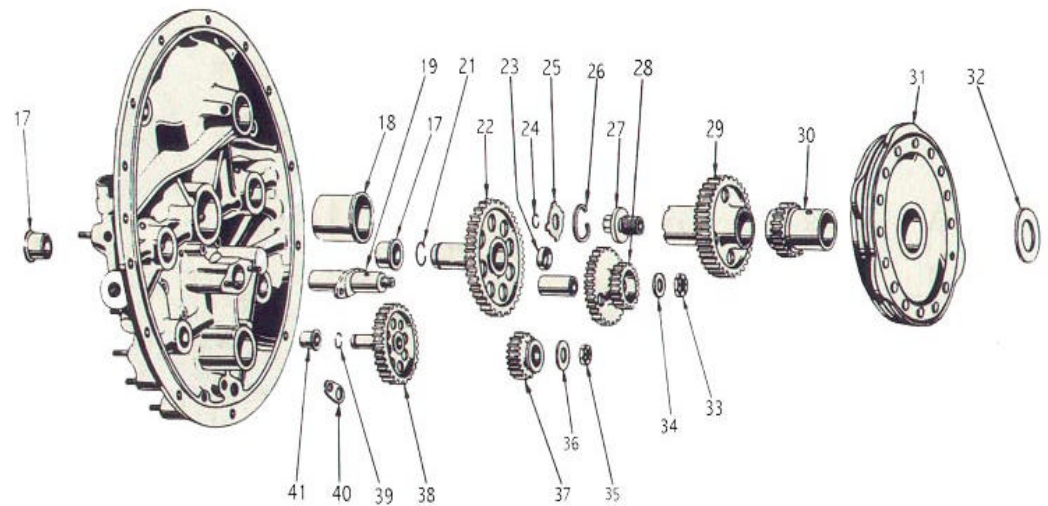


W670 CONTINENTAL ENGINE PARTS

<u>Fig.#</u>	<u>Part No.</u>	<u>Description</u>	<u>Condition</u>	<u>Price</u>
<u>ACCESSORY CASE</u>				
1	3112	Gasket - accessory case	New	10.10
2	A22197	Retainer assy-starter gear	New	13.45
3	20247	Valve-low pressure relief	New	12.50
4	23168	Spring-low pressure relief	New	2.95
5	AN900-14	Crush gasket	New	1.95
6	20246	Housing-lo pressure relief valve	New	13.95
7	3915	Gear - starter	New	63.00
8	24196	Washer	New	2.60
9	AN75-11	Bolt	New	3.75
10	2249	Gasket - starter	New	1.20
11	2667	Spacer - starter gasket	New	4.20
12	2304	Cover - starter	OHC	14.35
13	500051-A	Gear - generator drive	New	148.95
14	20889	Seal - magneto gear	New	8.10
15	20567	Cover - rocker scavage pad	OHC	6.25
16	20467	Gasket - rocker scav. elbow	New	.90
17	2580	Bushing - accy drive	New	6.25
18	2574	Bushing - crank oil feed	New	9.20
19	3113	Pin - cam drive	New	9.70
21	2578	Circlip - magneto gear	New	3.55
22	A3841	Magneto drive gear VMN7	OHC	127.80
22	A3891	Magneto drive gear SFT	OHC	127.80
23	2878	Plug - mag drive gear	New	1.05
24	2079	Circlip - rear crank nut	New	1.75
25	2576	Lock washer - crank rear nut	OHC	13.85
26	22094	Ring - extractor	New	8.05
27	2872-A1	Nut - rear crank	OHC	8.05
28	A3062	Gear - intermediate cam drive	New	60.15
29	3067-A1	Gear - crank starter	New	108.90
30	3068	Gear - cam drive	New	130.50
31	A-5160	Cam assy.	New	202.50
32	20259	Spacer - rear crank bearing	OHC	22.05
33	2152	Nut - cam drive gear	New	
34	2583	Washer - thrust	New	6.25
35	2923	Nut - gen. drive pinion	New	7.15
36	2480	Washer - gen. drive	New	5.60
37	500053	Pinion - generator drive	New	125.05
38	3064	Gear - oil pump drive	OHC	40.45
39	2590	Circlip - oil pump drive	New	1.15
40	20421	Gasket - scan oil line	New	1.15



Accessory Case Assembly

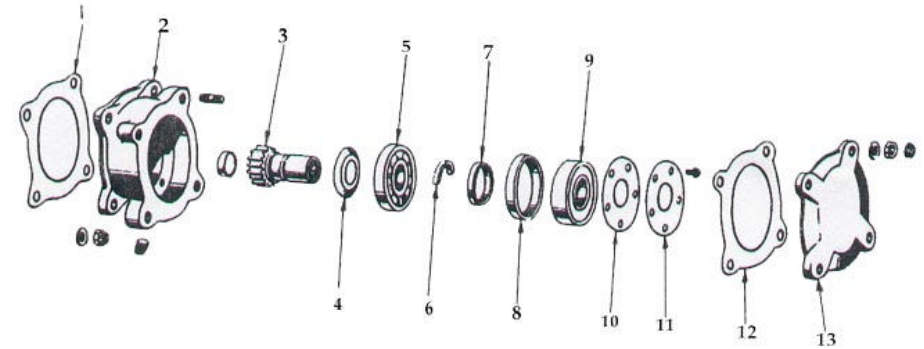


W670 CONTINENTAL ENGINE PARTS

Fig.# Part No. Description Condition Price

GENERATOR SPEED STEP UP DRIVE ASSEMBLY

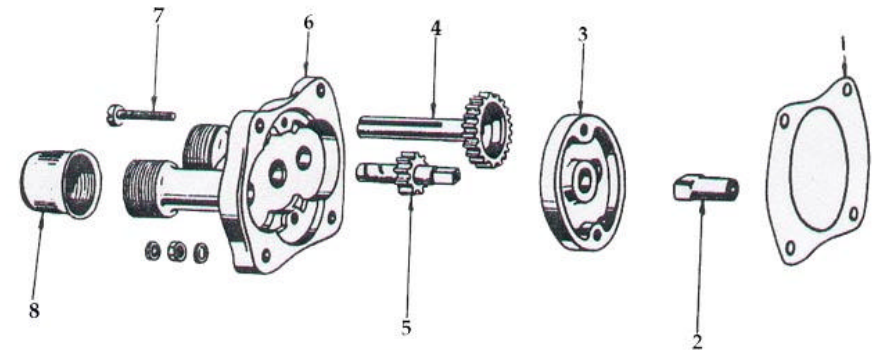
	A3926	Generator step up drive assembly	OHC	450.00
1	22444	Gasket, step up drive to case	New	1.49
2	4674-A1	Housing, generator. step up drive	New	193.50
3	A20887	Pinion, generator step up drive	New	130.50
4	500056	Thrower, oil	New	26.26
5	500064	Bearing, step up front	New	40.05
6	500066	Lock, bearing	New	23.95
7	500059	Retainer, bearing lock	New	21.50
8	500057	Spacer, bearing	New	12.25
9	22778	Bearing, step up rear	New	40.50
10	500062	Gasket, bearing retainer	New	1.76
11	500061	Retainer, bearing	New	21.25
12	22442	Gasket, generator mounting	New	1.76
13	2303	Cover, generator drive	New	11.25



Generator Step-up Drive Assembly

TACHOMETER DRIVE ASSEMBLY

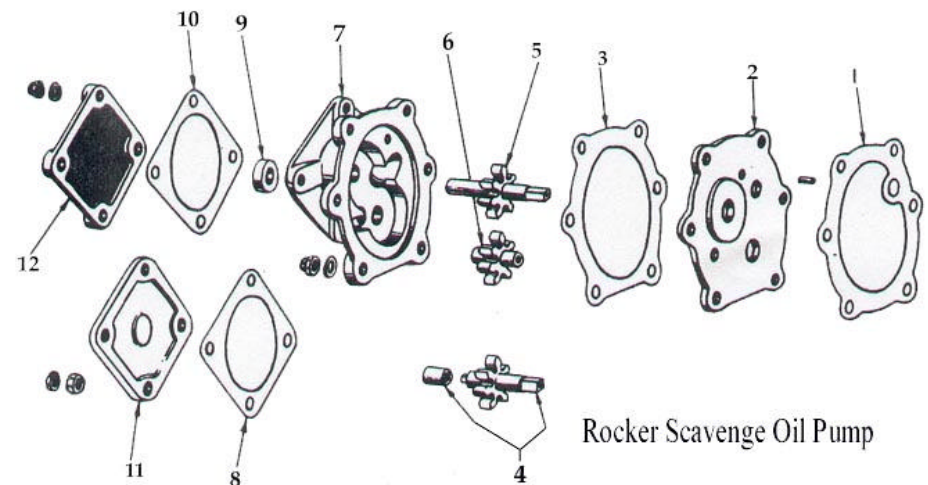
	A3119	Tachometer drive assembly	New	53.96
1	22443	Gasket, tach drive mounting	New	1.28
2	2873	Coupling - tach drive	New	12.93
3	2591	Pilot, tach drive housing	New	10.25
4	2585	Gear, tach drive large	New	11.25
5	2584	Gear, tach drive small	New	11.75
6	3119	Housing, tach drive	New	19.75
7	AN502-10-12	Screw	New	3.75
8	2716	Nut, tach drive cover	New	3.55



Tachometer Drive Assembly

ROCKER SCAVENGE OIL PUMP

1	22446	Gasket, scavenge pump mounting	New	1.75
2	3248	Cover, scavenge pump	New	11.10
3	20532	Gasket, scavenge pump body	New	3.15
4	20418	Gear, scavenge pump driven	New	32.65
5	3888	Gear, scavenge pump drive	New	26.75
6	20419	Gear, scavenge pump driven	New	27.55
7	A35536	Body for A417A pump	New	79.20
7	A3887	Body for A3886 pump	New	79.20
8	20423	Gasket for A4170A pump cover	New	1.17
9	22142	Seal (A3886 pump only)	New	7.65
10	22143	Gasket for A3886 pump cover	New	1.15
11	20426	Cover for A4170A pump	New	12.75
12	22144	Cover for A3886 pump	New	10.35
	A3886	Scavenge pump assembly	OHC	66.20
	A4170A	Scavenge pump assembly	New	121.50



Rocker Scavenge Oil Pump

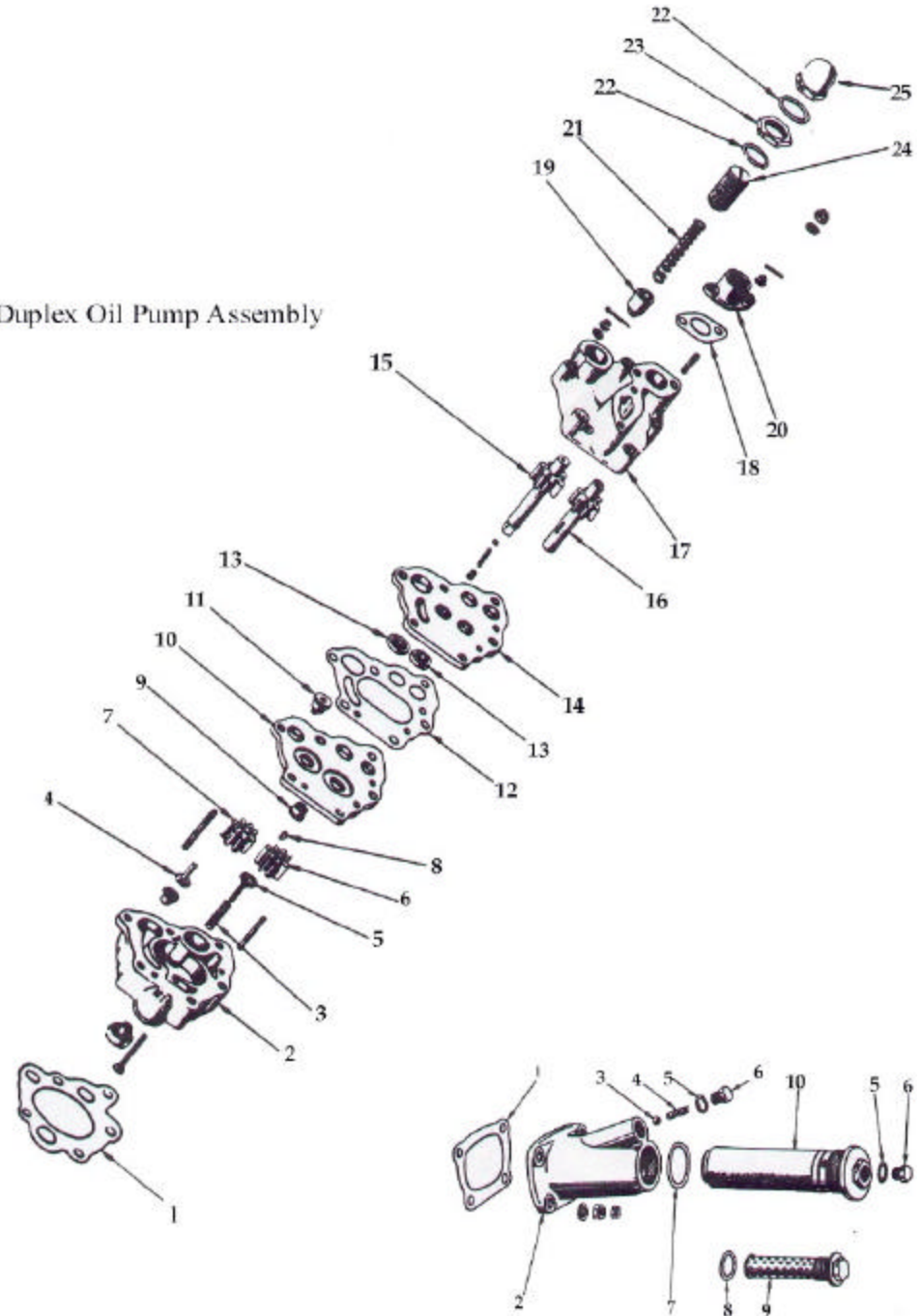
W670 CONTINENTAL ENGINE PARTS

<u>Fig.#</u>	<u>Part No.</u>	<u>Description</u>	<u>Condition</u>	<u>Price</u>
<u>DUPLEX OIL PUMP ASSEMBLY</u>				
1	3710	Gasket, oil pump to case	New	1.80
2	A3948	Body, oil scavenge pump	OHC	195.50
3	22196	Spring, check valve	New	2.93
4	20971	Valve, oil pressure relief	New	29.66
5	20880	Valve, oil check	New	30.15
6	2593	Gear, oil pump keyed	New	41.00
7	2594	Gear, oil pump driven	New	40.55
8	2219	Key, woodruff	New	1.59
9	20881	Seat, check valve	New	14.90
10	3938	Plate, lower	OHC	135.50
11	20967	Guide, relief valve	New	29.75
12	3939	Gasket, between plates	New	1.68
13	20977	Seal, oil pump	New	7.65
14	3935	Plate, upper	OHC	135.50
15	A3916	Gear, duplex pump drive	New	188.20
16	3936	Gear, duplex pump driven	New	36.25
17	A35008	Body, pressure oil pump	OHC	225.00
18	20748	Gasket, connection	New	1.13
19	22217	Plunger	New	26.96
20	20747	Connection	New	19.35
21	22216	Spring, oil pressure relief	New	5.72
22	AN900-16	Crush gasket	New	.95
23	20968	Nut	New	14.75
24	20972	Screw, pressure relief	New	18.55
25	20970	Cap, pressure relief valve	New	15.90

HIGH PRESSURE OIL SCREEN ASSEMBLY

1	2589	Gasket, housing to case	New	1.50
2	500014	Housing, oil screen	New	18.90
3	2849	Ball, by-pass	New	1.75
4	2848	Spring, by-pass	New	2.57
5	AN900-10	Crush gasket	New	1.75
6	2265	Plug, 5/8 thermometer	New	2.50
7	AN900-24	Crush gasket	New	4.64
8	AN900-16	Crush gasket	New	1.95
9	A20878	Screen, scavenge oil	New	13.50

Duplex Oil Pump Assembly



High Pressure Oil Screen Housing Assembly

W670 CONTINENTAL ENGINE PARTS

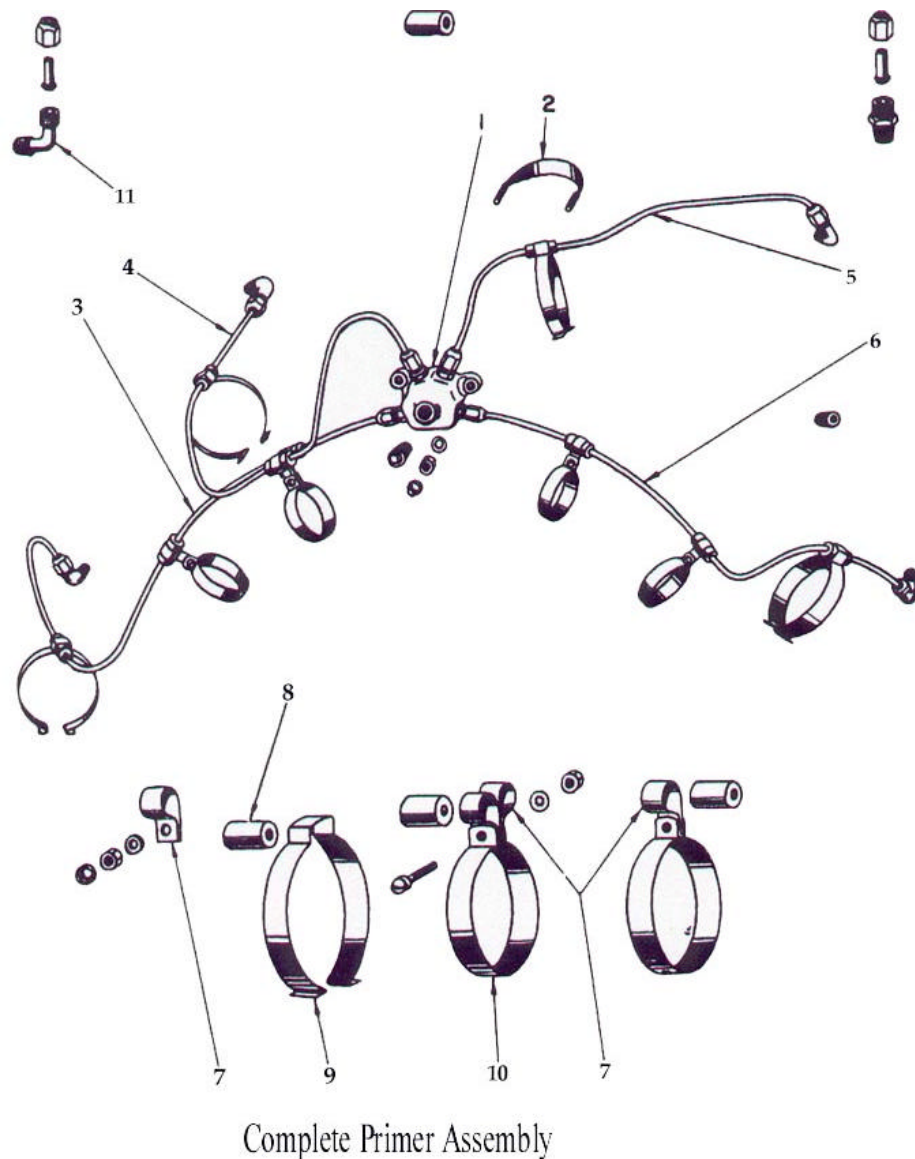
<u>Part No.</u>	<u>Description</u>	<u>Condition</u>	<u>Price</u>
<u>IGNITION HARNESS</u>			
W670-H1	Shielded harness-tank style (rear mount)	OHC	975.00
W670-H2	Shielded harness-orig. W670 (front mount)	OHC	1,325.00
W670-H3	Shielded harness in orig. rear open loom	OHC	735.00
W670-H4	Unshielded harness-complete	OHC	575.00
20559	Clip, ignition cable	New	7.50
2306	Terminal, unshielded spark plug	New	5.30
2316	Clip, ignition cable	New	4.45
23142	Clip, ignition wire & primer	New	11.05
A2227	Clamp, support	New	6.25
7MM	Unshielded ignition cable	New	per ft. 1.95

ACCESSORIES

397-13 E-80 starter 12 V		OHC	Exchange	845.00
397-13 E-80 starter 12 V		OHC	Outright	1525.00
NAR6-D	Carburetor assembly	OHC	Exchange	625.00
NAR6-D	Carburetor assembly	OHC	Outright	775.00
NAR6-G	Carburetor assembly	OHC	Exchange	625.00
NAR6-G	Carburetor assembly	OHC	Outright	775.00
3847	Carburetor air grid	New		76.50
NAR6-Gskt	Nar6 Carburetor gasket set	New		41.25
E5A	Generator	OHC	Exchange	475.00
E5A	Generator	OHC	Outright	600.00
6555-1	JASCO alternator kit	New		775.00
SF7RN-1	Magneto	OHC	Exchange	550.00
SF7RN-1	Magneto	OHC	Outright	625.00
VMN7DF	Magneto	OHC	Exchange	550.00
VMN7DF	Magneto	OHC	Outright	625.00

MAGNETO PARTS

10-5442V	Contact assembly	SF7RN-1	New	89.05
10-7461-1	Condenser	SF7RN-1	New	80.78
10-13625Z	Coil	SF7RN-1	New	44.78
10-14576	Distributor finger	SF7RN-1	New	44.90
10-13901-Y	Distributor block	SF7RN-1	New	135.90
10-13901-Y	Distributor block	SF7RN-1	OHC	103.50
SF7-P	P-lead set	New		22.50
10-25453	Breaker assembly	VMN7DF	New	89.55
10-14857	Coil	VMN7DF	New	71.55
10-13373Y	Condenser	VMN7DF	New	41.85
10-13400	Distributor cylinder	VMN7DF	New	155.25
10-5510Z	Distributor block (RH)	VMN7DF	New	87.75
10-5511Z	Distributor block (LH)	VMN7DF	New	87.75
VMN-P	P-lead set	New		22.50



W670 CONTINENTAL ENGINE PARTS

<u>Fig.#</u>	<u>Part No.</u>	<u>Description</u>	<u>Condition</u>	<u>Price</u>
<u>COMPLETE PRIMER ASSEMBLY</u>				
1	22161	Primer Distributor	New	10.35
2	22162	U-bolt, primer distributor	New	5.36
3	A3877	Primer line #6 cylinder	New	11.50
4	A3878	Primer line #7 cylinder	New	11.03
5	A3682	Primer line #1 cylinder	New	11.03
6	A3876	Primer line #2 cylinder	New	11.03
7	20721	Clip, primer line (small)	New	3.15
8	21512	Protector, primer line	New	1.04
9	20559	Clip, primer line to intake pipe	New	7.43
10	20296	Clip, primer tube	New	5.36
11	3665	Jet, primer	New	7.16

GASKETS

MOHG-C	Major overhaul gasket set W670	New	271.35
TOHG-C	Top overhaul gasket set W670	New	194.40
CONT-2	Single cylinder gasket set W670	New	27.77

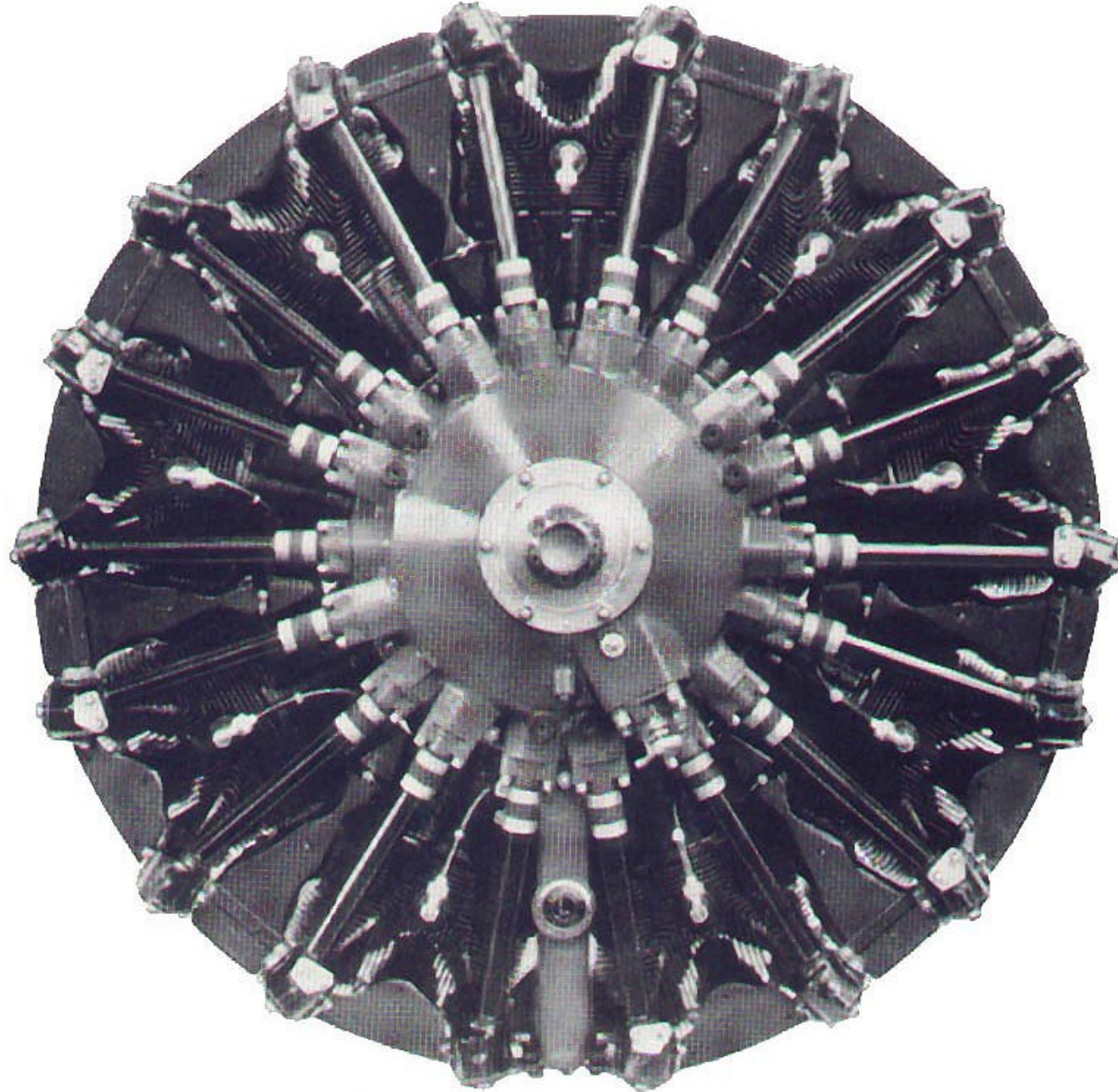
All other gaskets available—call with your needs.

TOOLS

35190	Thrust nut wrench	New	258.89
3096	Valve spring compressor	New	35.96
3193	Intake pipe gland nut wrench	New	32.85
3103	Crankshaft clamp bolt wrench	New	93.02
20483	Wrench - pushrod housing	New	24.75
20520	Wrench - pushrod housing	New	24.25
T-SAE20	SAE 20 crankshaft turning bar	New	175.00

MANUALS

W670-O	W670 Parts & Overhaul Manual	32.50
SF7-M	SF7RN-1 Magneto Manual - Parts & OH	13.50
VMN-M	VMN7DF Magneto Manual - Parts & OH	13.50
NAR6-M	NAR6 Carburetor Manual - Parts & OH	15.75
W670-OP	W670 Operators Manual	26.95



LYCOMING R-680

LYCOMING R680

TABLE OF SPECIFICATIONS

<u>Model</u>	<u>R680-17 -11</u>	<u>R680-9, -13</u>
Rated Horsepower	225 @ 2100 rpm	300 @ 2300 rpm
Compression Ratio	5.5 : 1	7.0 : 1
Weight	512 lb. (dry)	523 lb. (dry)
Carburetor	NAR 7B	NAR 7A
Valve Timing		
intake closes: 45 ABC (225HP)		36 ABC (300HP)
exhaust opens 60 BBC (255HP)		62 BBC (300HP)
Bore & Stroke	4.625" x 4.5"	
Spark occurs @	34 BTDC (right)	30 BTDC (left)
Oil pressure	50 psi min/ 70 psi desired/ 80 psi max.	
Firing order	1-3-5-7-9-2-4-6-8 (numbered from top cylinder clockwise viewed from rear)	
Master rod located	#7 cylinder	
Valve clearance015" cold exhaust & intake	
Valve timing clearance050" both valves	
Maximum oil outlet temperature	200 F.	

LYCOMING R680

TOP OVERHAUL CYLINDER KIT

Includes the following:

- (9) Cylinders (steel, chrome, or nuchrome) overhauled complete with valves, springs, washers and rocker arms - certified and yellow tagged.
- New piston ring set.
- Top overhaul gasket and hose set.

PRICES

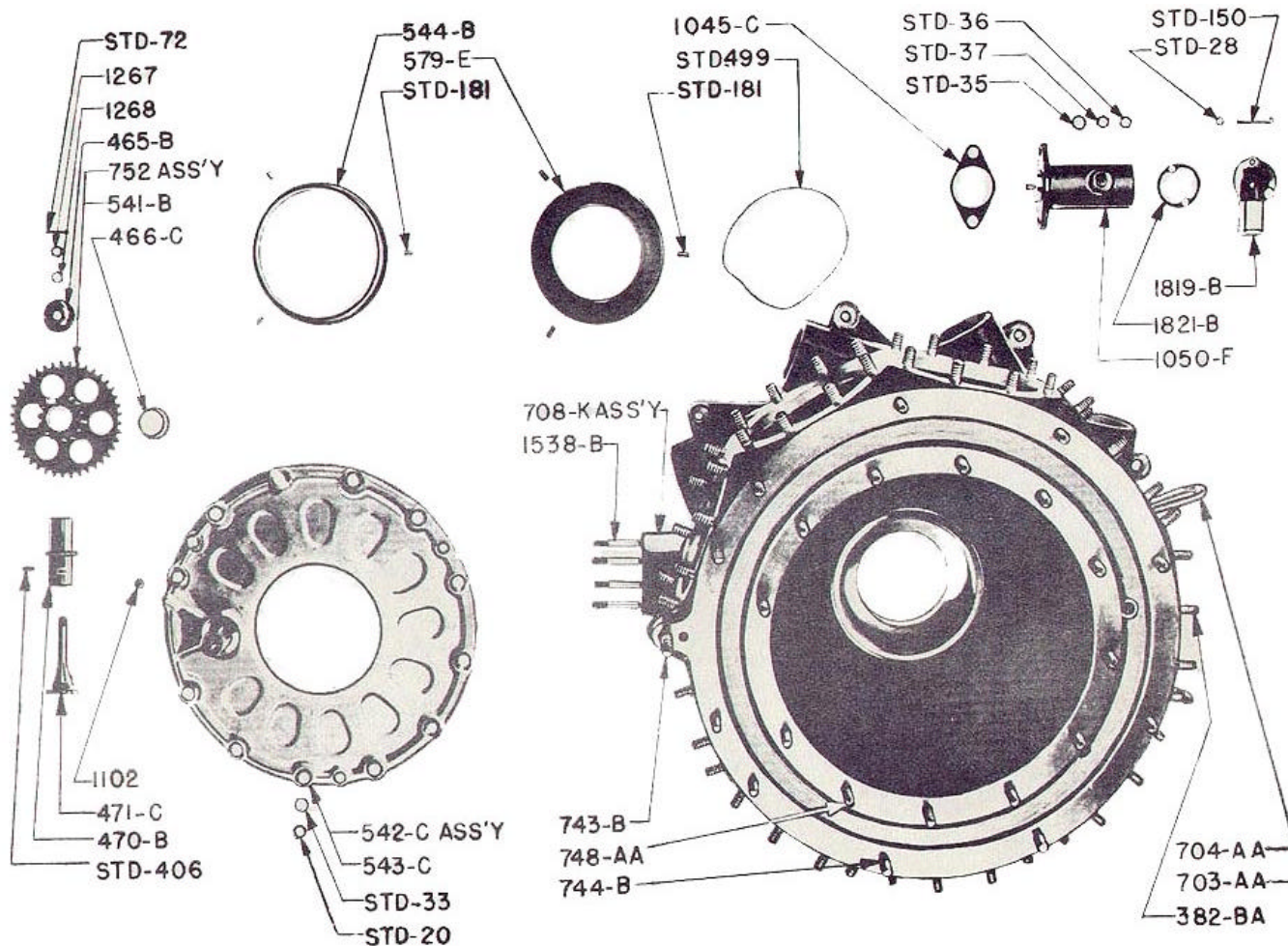
Channel chrome cylinders	\$5856.00 Exchange
Nuchrome cylinders	\$6036.00 Exchange

R680 LYCOMING ENGINE PARTS

<u>Part No.</u>	<u>Description</u>	<u>Condition</u>	<u>Price</u>
-----------------	--------------------	------------------	--------------

CRANKCASE ASSEMBLY

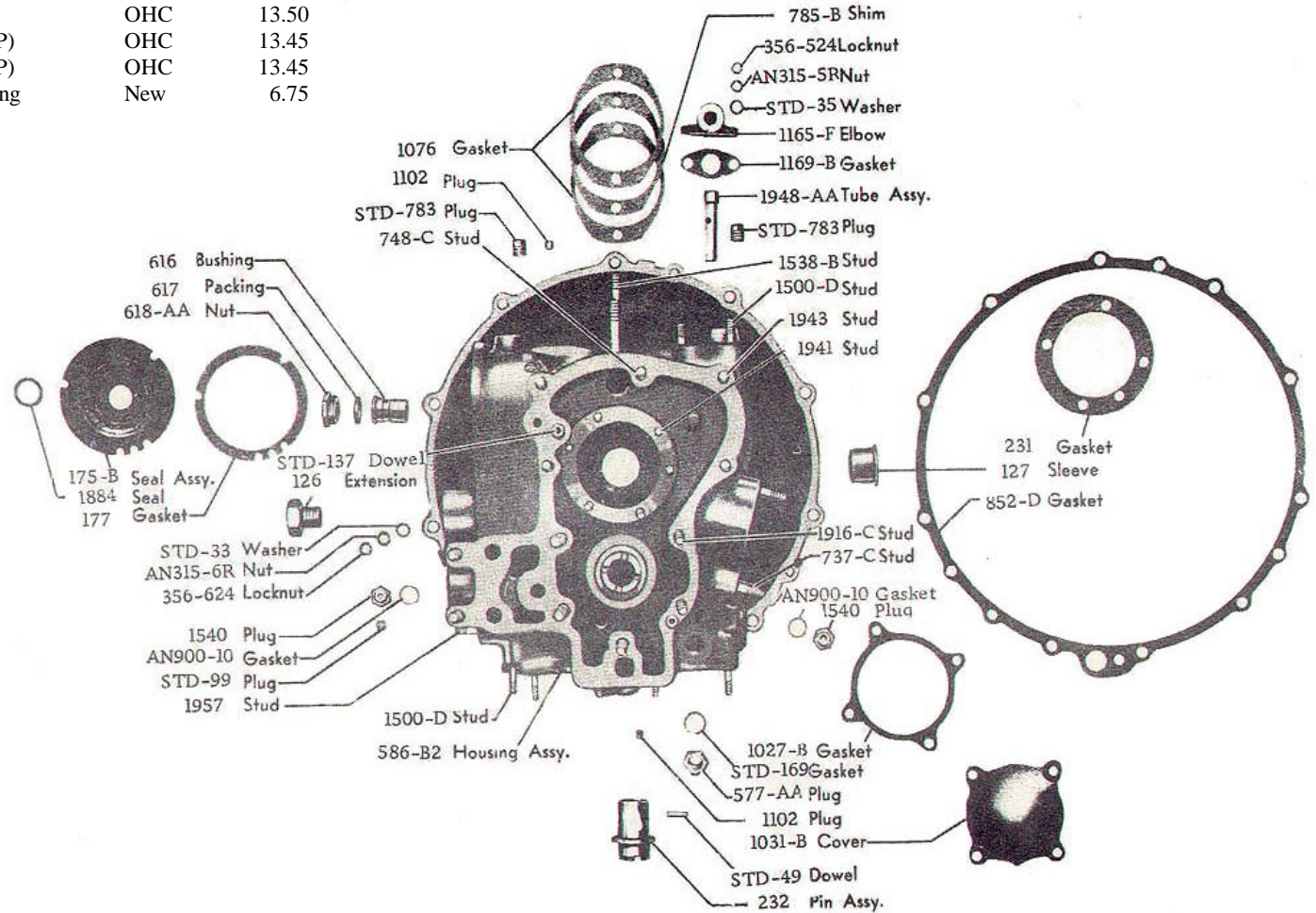
708k	Main crankcase assembly	OHC	767.25
542-C	Plate assembly, front main bearing	OHC	180.45
752	Gear assembly, cam idler	New	63.90
		OHC	48.38
1050-F	Breather assembly, main crankcase	OHC	43.20



CRANKCASE ASSEMBLY AND RELATED PARTS

R680 LYCOMING ENGINE PARTS

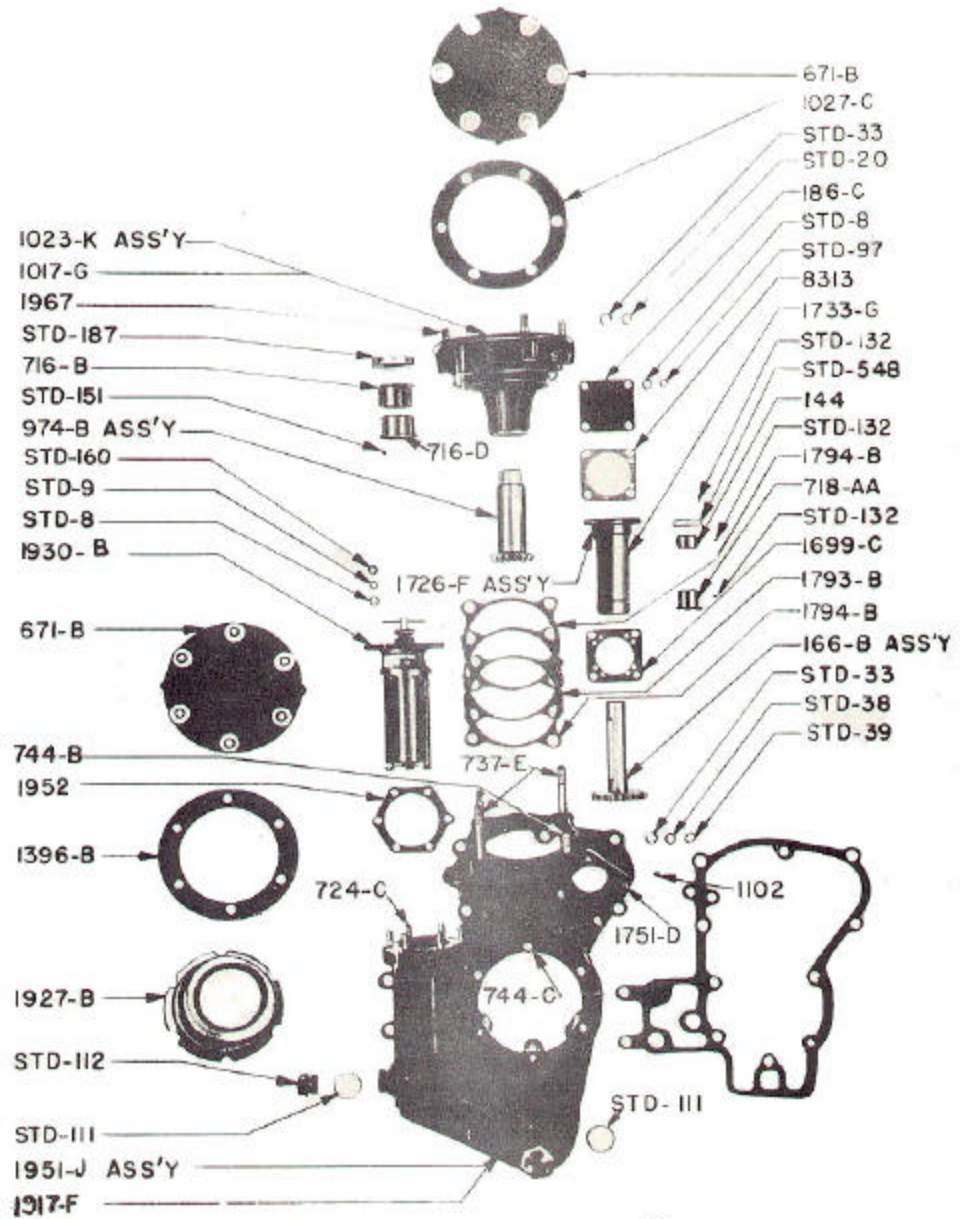
<u>Part No.</u>	<u>Description</u>	<u>Condition</u>	<u>Price</u>
<u>ACCESSORY DRIVE HOUSING</u>			
586-B2	Housing assy, accessory drive (225 HP)	OHC	256.95
586-J2	Housing assy, accessory drive (300 HP)	OHC	294.75
175B	Seal assy-distributor oil	New	27.81
1599	Adapter, oil outlet	OHC	21.60
1031B	Cover, generator drive	OHC	13.50
1165E	Connection-breather (300 HP)	OHC	13.45
1165F	Connection-breather (225 HP)	OHC </td <td>13.45</td>	13.45
785B	Shim, magneto drive mounting	New	6.75



Accessory Drive Housing Assembly and Related Parts

STARTER DRIVE HOUSING

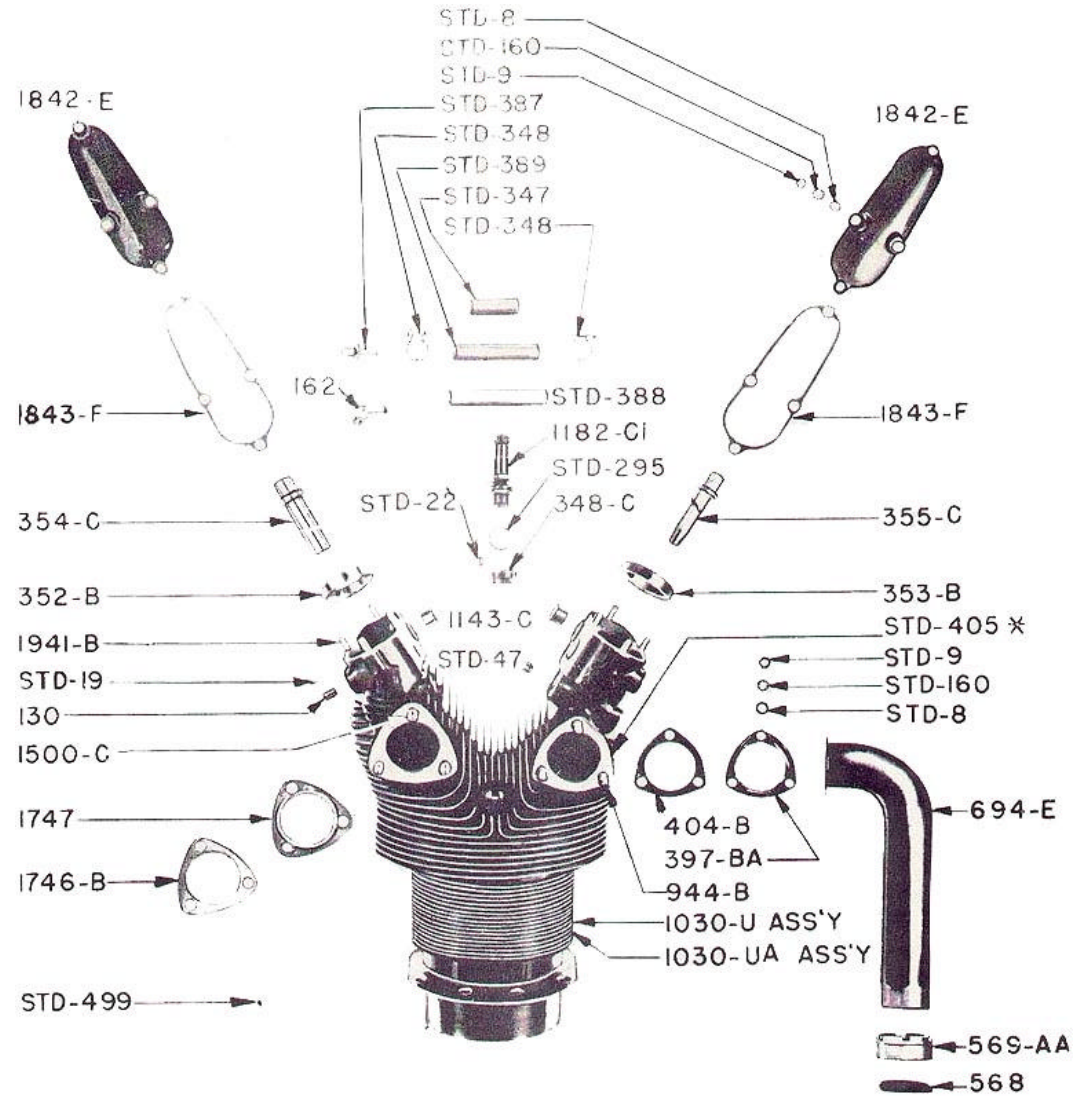
<u>Part No.</u>	<u>Description</u>	<u>Condition</u>	<u>Price</u>
1951-H	Housing-starter drive (225 HP)	OHC	222.75
1023-J	Mounting assy-generator drive	OHC	251.55
974B	Gear assy generator bevel	OHC	57.60
1793-B	Shim-generator drive	New	7.75
1930-B	Cuno oil filter	New	136.12
		OHC	108.90
1927-B	Retainer, starter oil	OHC	11.70



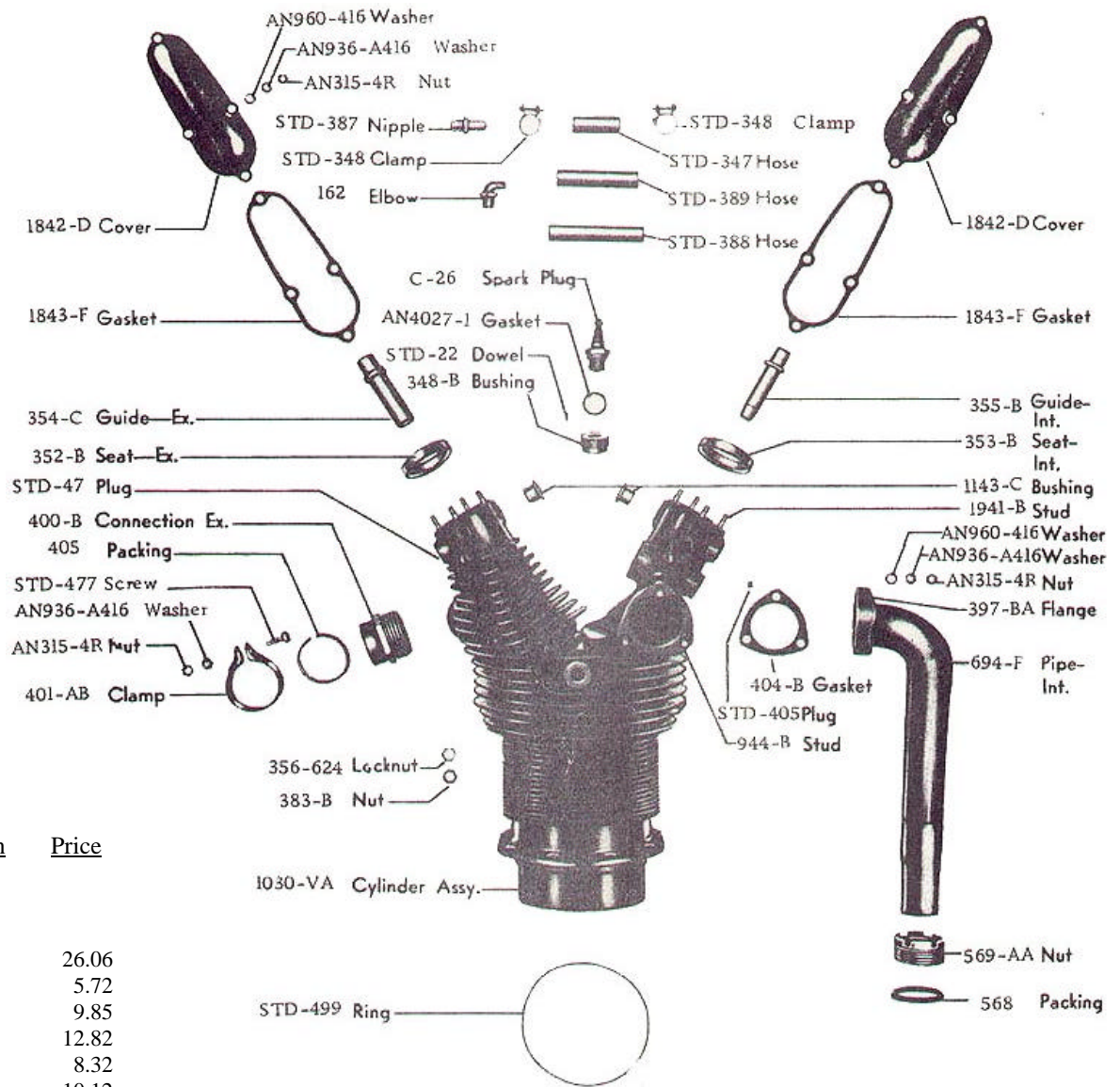
STARTER DRIVE HOUSING ASSEMBLY AND RELATED PARTS

CYLINDER ASSEMBLY

<u>Part No.</u>	<u>Description</u>	<u>Condition</u>	<u>Price</u>
1030-UA	Cylinder stud assy. (300 HP) Steel	OHC	435.00
1030-VA	Cylinder stud assy. (225 HP) Steel	OHC	435.00
352B	Seat, exhaust valve	New	20.25
353B	Seat, intake valve	New	20.25
354C	Guide exhaust	New	20.25
355B	Guide intake (225 HP)	New	21.15
1030-UA	Cylinder stud assy. chrome (300 HP)	OHC	395.00
1030-UA	Cylinder stud assy. nichrome (300 HP)	OHC	445.00
1030-VA	Cylinder stud assy. chrome (225 HP)	OHC	395.00
1030-VA	Cylinder stud assy. nichrome (225 HP)	OHC </td <td>445.00</td>	445.00



CYLINDER ASSEMBLY AND RELATED PARTS



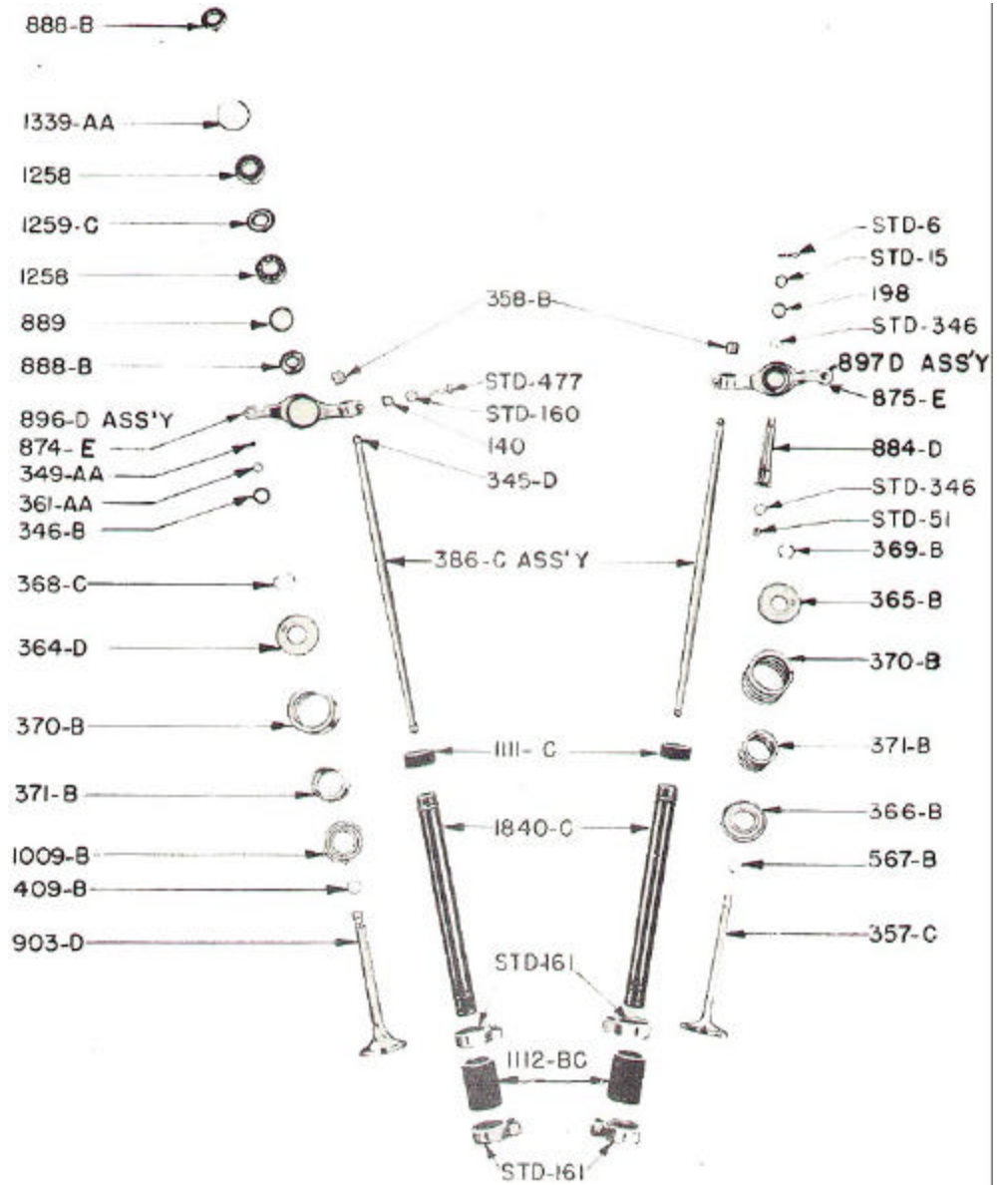
R680 LYCOMING ENGINE PARTS

<u>Part No.</u>	<u>Description</u>	<u>Condition</u>	<u>Price</u>
<u>CYLINDER ASSEMBLY</u>			
355-C	Guide intake (300 HP)	New	26.06
1143-C	Bushing, rocker arm bolt	New	5.72
348B	Bushing, spark plug	New	9.85
1842-E	Cover, rocker box	OHC	12.82
162	Elbow, 3/8 hose, 90 degree	New	8.32
STD 387	Nipple, straight, 3/8 hose	New	10.12
400-B	Connection, exhaust pipe (225 HP)	New	32.35
694-E	Pipe-intake (300 HP)	OHC	13.50
569-AA	Nut-intake pipe	OHC	4.27
397BA	Flange, intake pipe	New	7.65
694F	Pipe-intake (225 HP)	OHC	14.40
383B	Nut, cylinder base	New	1.12
STD-39	Palnut, cylinder base	New	.40

Cylinder Assembly and Related Parts

VALVE MECHANISM, PUSH RODS, VALVE & ROCKER ARMS

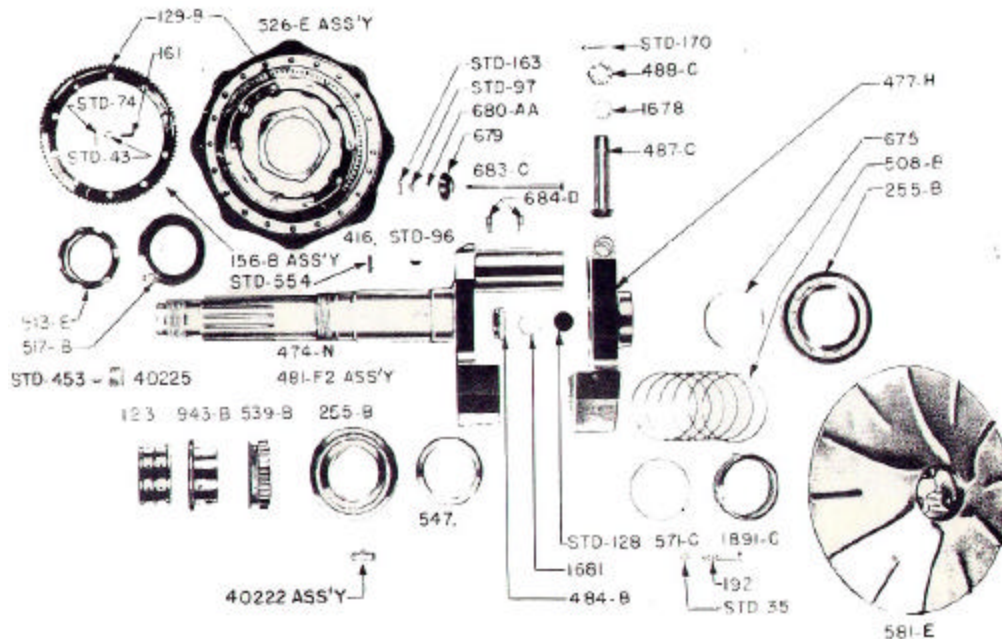
<u>Part No.</u>	<u>Description</u>	<u>Condition</u>	<u>Price</u>
903-D	Valve exhaust	New	34.60
409-B	Circlip, exhaust valve	New	.90
370-B	Valve spring-outer	New	9.45
371-B	Valve spring-inner	New	7.65
366B	Spring seat-lower	New	6.25
365B	Spring seat-upper	New	6.25
1009B	Spring seat-lower	New	4.72
364D	Spring seat-upper	New	4.45
368-C	Key-exhaust valve	New	2.02
896-D	Rocker arm w/bearing	New	49.50
1258	Bearing, rocker arm	New	12.37
1259-C	Spacer, rocker arm bearing	New	2.92
1339-AA	Retainer, rocker arm bearing	New	2.25
358B	Screw, valve adjusting	New	5.85
140	Seal, valve screw adjusting	New	1.03
STD 477	Screw, valve adjusting lock	New	2.21
1840C	Housing, push rod	OHC	13.50
386C	Push rod (300 HP)	OHC	15.99
386E	Push rod (225 HP)	OHC	10.57
357C	Intake valve (300 HP)	OHC	94.05
357B	Intake valve (225 HP)	New	120.95
		OHC	87.05
567B	Circlip-intake valve (300 HP)	New	.90
567	Circlip-intake valve (225 HP)	OHC	.90
369-B	Key, intake valve (300 HP)	New	2.65
369-C	Key, intake valve (225 HP)	New	2.65
198	Washer-rocker arm bolt	New	1.80
STD-15	Nut-rocker arm bolt	New	.95
884-D	Bolt-rocker arm	New	14.18



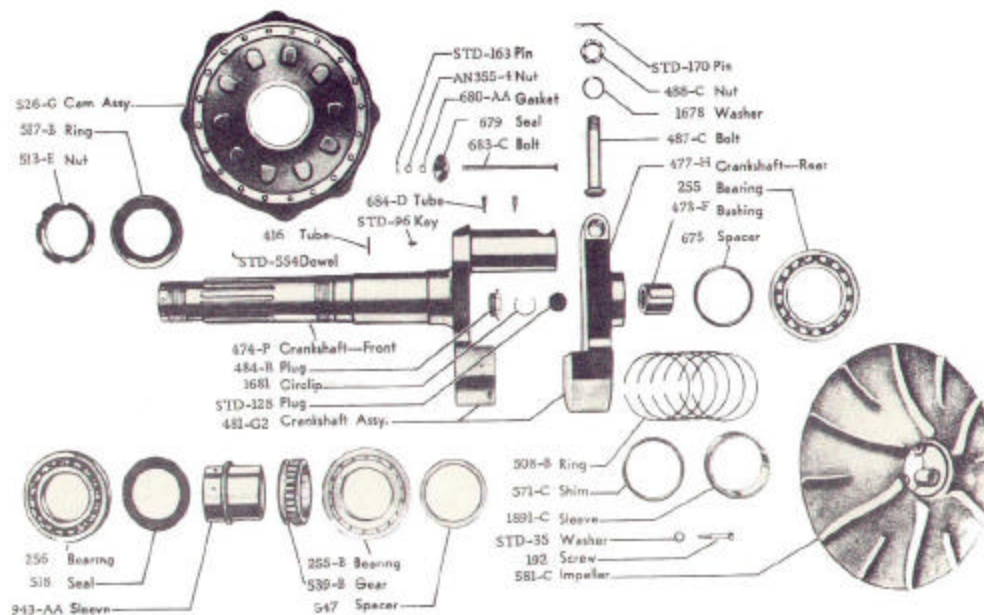
VALVE MECHANISM, PUSH ROD ASSEMBLY AND SHROUD TUBE PARTS

R680 LYCOMING ENGINE PARTS

<u>Part No.</u>	<u>Description</u>	<u>Condition</u>	<u>Price</u>
<u>CRANKSHAFT ASSEMBLY</u>			
481-F2	Crankshaft assembly (300 HP)	OHC	2970.00
481-G2	Crankshaft assembly (225 HP)	OHC	2160.00
481-W	Crankshaft assy (225 HP) 2.065 pin	OHC	2160.00
487-C	Bolt, crankshaft bolt	OHC	32.36
1678	Washer, crankshaft bolt	OHC	4.37
488-C	Nut-crankshaft bolt	OHC	12.56
683-C	Bolt-crankshaft oil seal	OHC	13.05
STD-96	Key, cam drive gear	New	2.25
513-E	Nut-thrust	OHC	54.45
256	Bearing-thrust	New	148.50
255-B	Bearing-front & rear main	New	137.50
518	Seal-thrust bearing	New	7.65
517B	Slinger	OHC	12.33
123	Sleeve-crank oil seal (300 HP)	OHC	123.75
124	Ring-crank oil seal (300 HP)	New	14.00
943-B	Sleeve, crankshaft (300 HP)	OHC	84.15
943-AA	Sleeve, crankshaft (225 HP)	OHC	84.15
539B	Gear, cam drive	New	98.35
		OHC	76.95
547	Spacer-main bearing front	OHC	13.50
675	Spacer-main bearing rear	OHC	13.95
581-C	Impeller (225 HP)	OHC	187.83
581-E	Impeller (300 HP)	OHC	197.55
571-C	Shim, impeller seal	New	8.96
192	Screw-impeller attaching	New	3.38
1891-C	Sleeve-impeller seal	New	69.30
		OHC	51.98
508-B	Ring, impeller	New	6.75
526-E	Cam assembly (300 HP)	OHC	693.00
129-B	Gear-governor on cam	OHC	167.85
526-G	Cam assembly (225 HP)	OHC	391.05



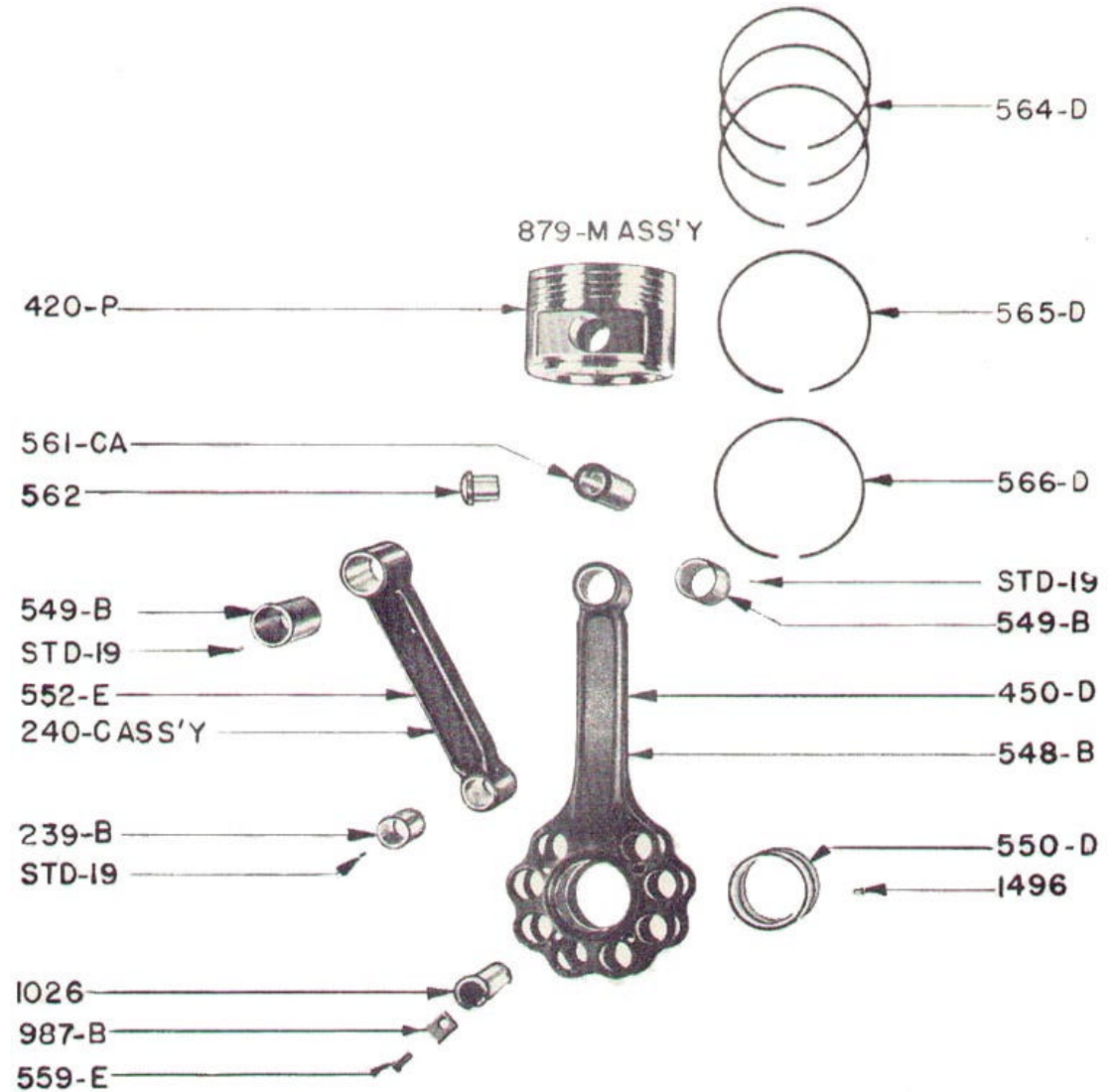
CRANKSHAFT ASSEMBLY AND RELATED PARTS



Crankshaft Assembly and Related Parts

R680 LYCOMING ENGINE PARTS

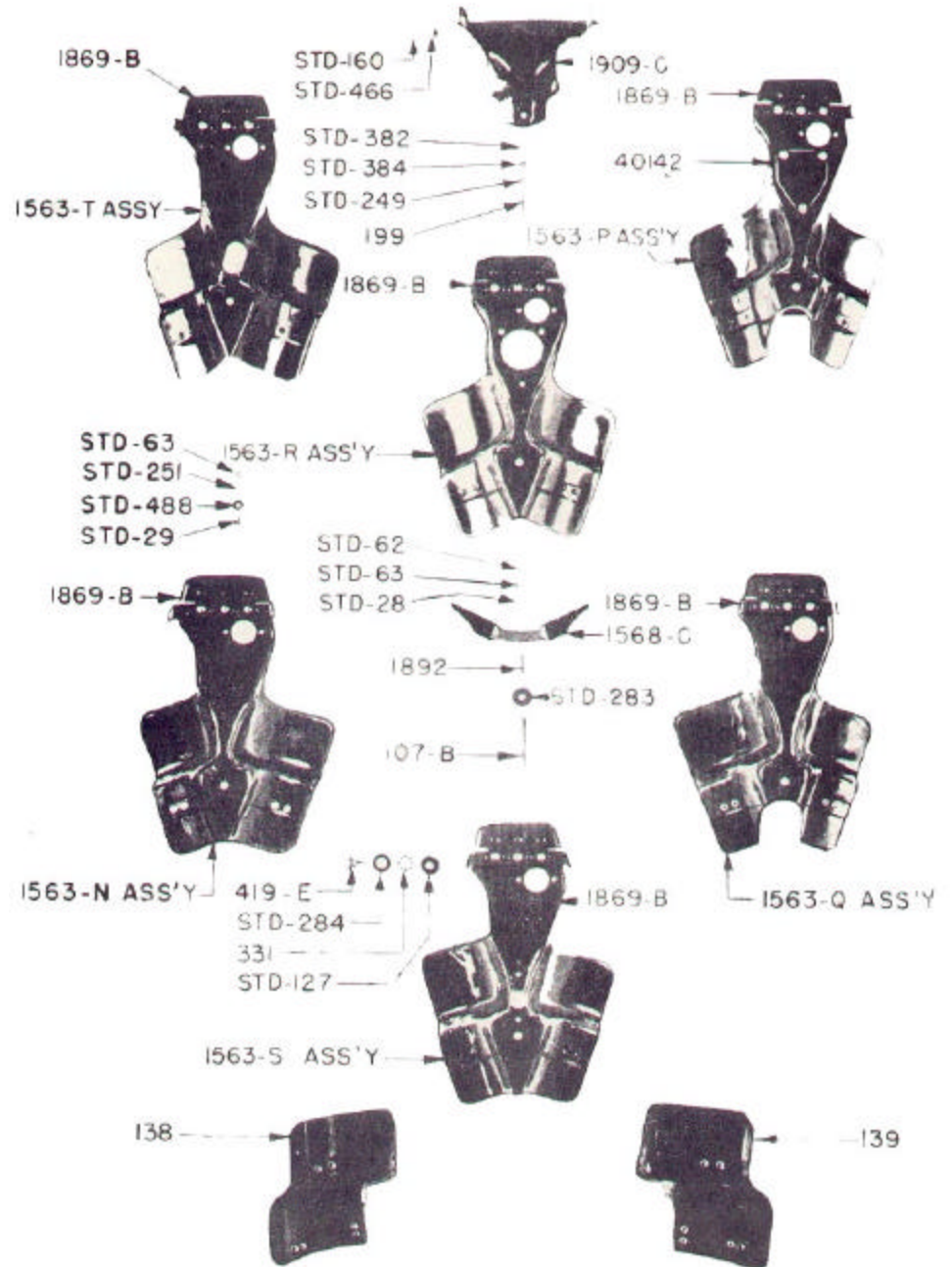
<u>Part No.</u>	<u>Description</u>	<u>Condition</u>	<u>Price</u>
<u>MASTER ROD, LINK RODS, PISTONS & RINGS</u>			
548-B	Master rod (225 & 300 HP)	OHC	445.50
548-C	Master rod (2.065 crankpin)	OHC	395.55
550-D	Bearing, master rod	New	78.75
550-C	Bearing, master rod (2.065 pin)	New	82.80
549-B	Bushing, master & link rod	New	9.81
240-C	Link rod (225 & 300 HP)	OHC	98.55
552-G	Link rod (225 HP aluminum)	New	80.55
1026	Knuckle pin	New	44.10
		OHC	33.50
559-G	Bolt-knuckle pin lock	New	4.95
40286	Clip-knuckle pin lock	New	3.95
420-KB	Piston-225 HP	OHC	94.05
420-P	Piston-300 HP	OHC	145.00
561-CA	Piston pin	New	13.46
562	Plug, piston pin	OHC	7.11



RECIPROCATING PARTS

BAFFLES

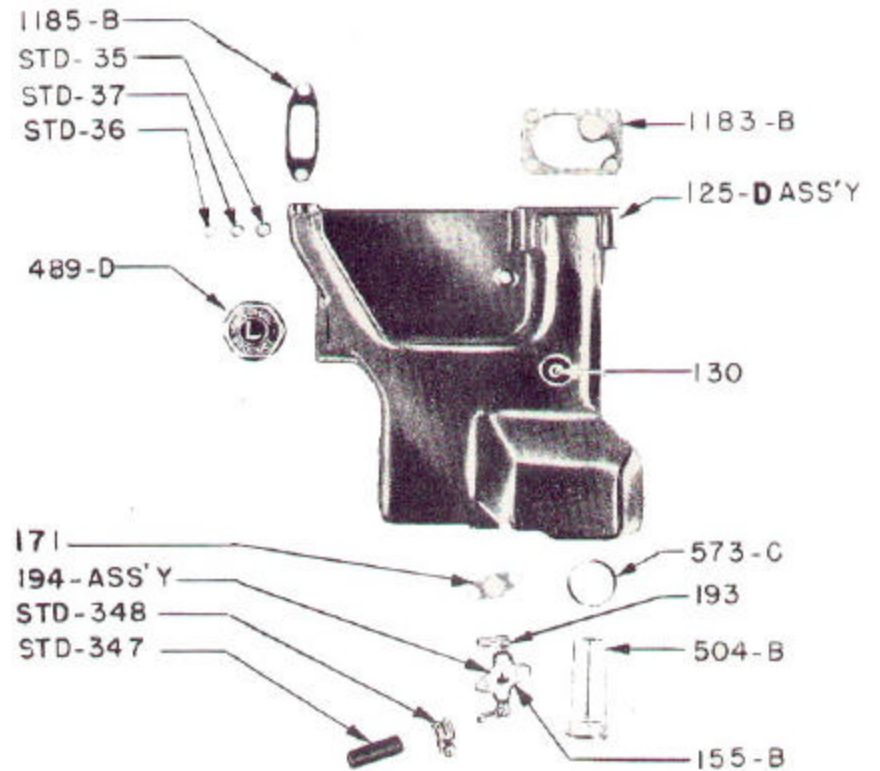
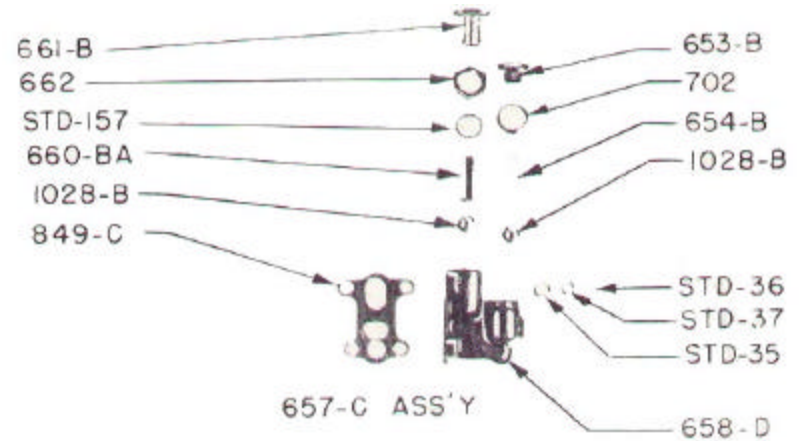
<u>Part No.</u>	<u>Description</u>	<u>Condition</u>	<u>Price</u>
1563-N	Baffle assy-cyls. 2 to 3, 4 to 5 & 9 to 1	OHC	39.51
1563-P	Baffle assy-cylinders 8 to 9	OHC	39.51
1563-Q	Baffle assy-cylinders 3 to 4	OHC	39.51
1563-R	Baffle assy-cylinders 1 to 2	OHC	39.51
1563-S	Baffle assy-cylinders 7 to 8	OHC	39.51
1563-T	Baffle assy-cylinders 6 to 7	43.90	39.51
138	Baffle assy-sump exhaust	OHC	21.15
139	Baffle assy-sump intake	OHC	21.15
1909-C	Baffle assy-cylinder head	OHC	23.85
1568-C	Clamp-cylinder baffle	OHC	14.85



CYLINDER HEAD, INTER-CYLINDER AND OIL SUMP BAFFLE ASSEMBLIES

OIL SUMP & OIL RELIEF VALVE

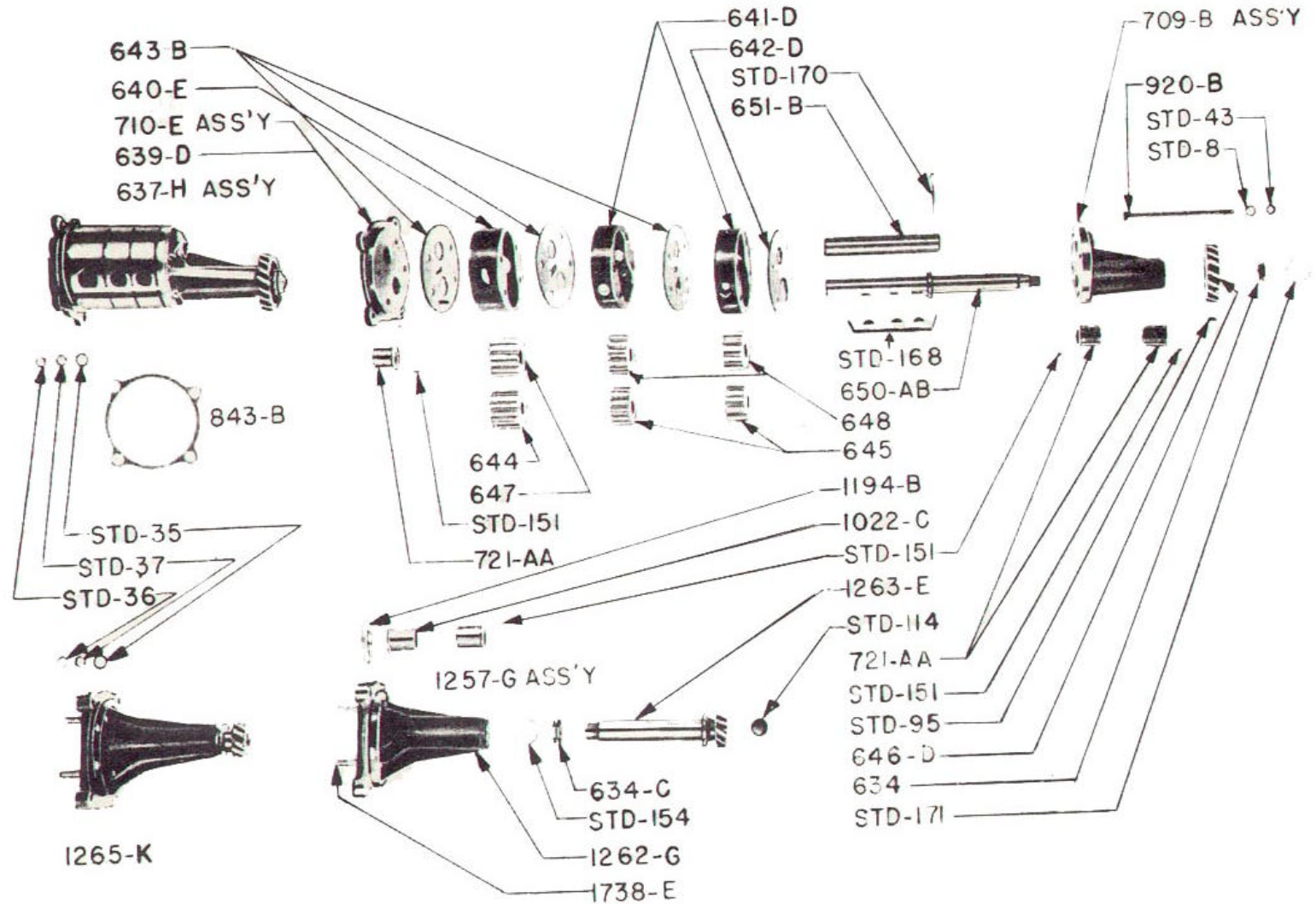
<u>Part No.</u>	<u>Description</u>	<u>Condition</u>	<u>Price</u>
125	Sump-oil (225 HP)	OHC	88.65
125D	Sump-oil (300 HP)	OHC	148.28
194	Connection assembly, oil sump	OHC	36.68
504-B	Strainer-oil sump	OHC	29.66
657-C	Valve assembly, oil relief	OHC	56.25



OIL SUMP, OIL RELIEF VALVE AND RELATED PARTS

OIL PUMP & FUEL PUMP

<u>Part No.</u>	<u>Description</u>	<u>Condition</u>	<u>Price</u>
637-H	Oil pump assembly	OHC	282.00
1265-K	Fuel pump drive assembly	New	222.75
		OHC	177.30
1263-E	Shaft-fuel pump drive	OHC	56.66
11031-B	Cover-fuel pump	OHC	13.50



OIL PUMP AND FUEL PUMP ASSEMBLIES

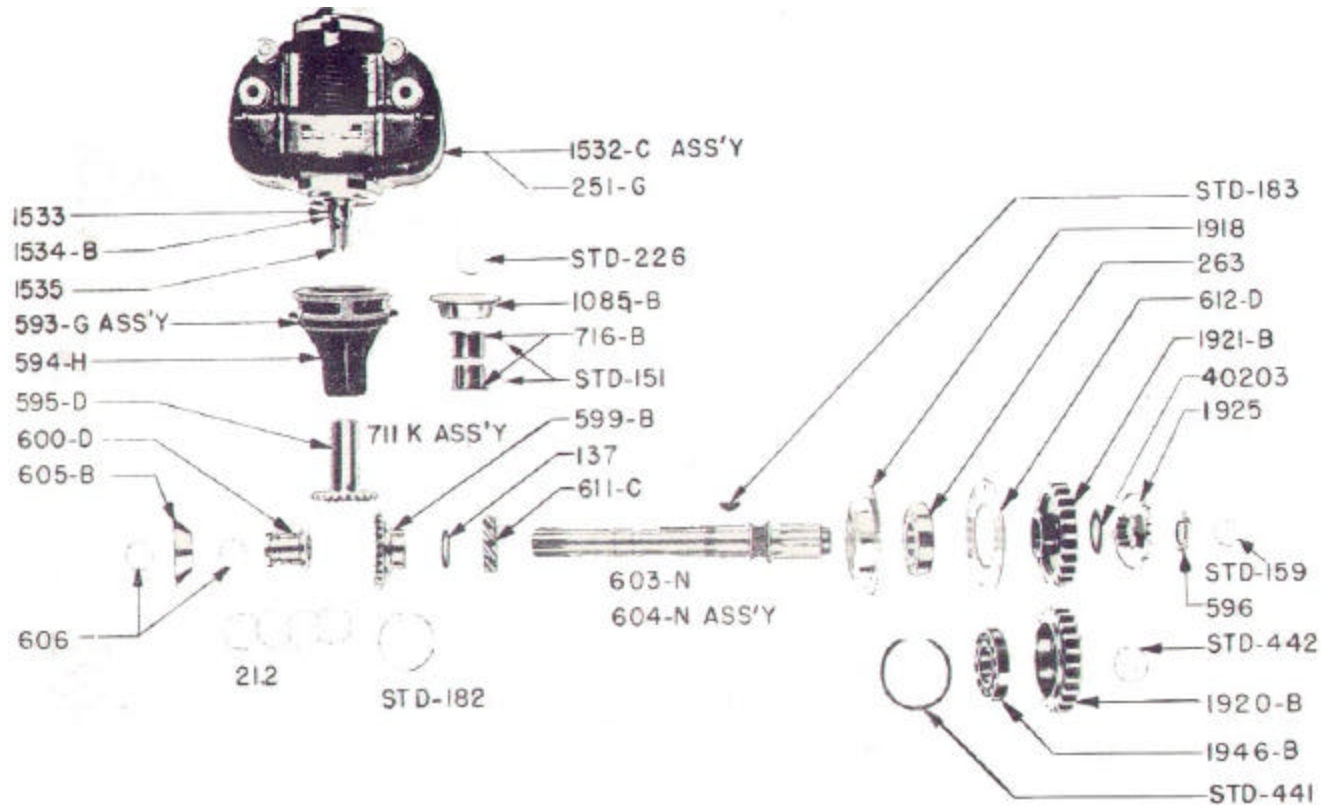
R680 LYCOMING ENGINE PARTS

<u>Part No.</u>	<u>Description</u>	<u>Condition</u>	<u>Price</u>
<u>MAGNETO DRIVE & ACCESSORY DRIVE</u>			
711-K	Drive assembly-magneto	OHC	197.78
593-G	Mounting assembly-magneto	OHC	145.00
595-D	Gear-magneto drive	OHC	63.00
STD-226	Circlip-magneto drive gear	New	.95
251-G	Magneto-DFN	(exchange)	OHC 575.00
		(outright)	OHC 725.00
1533	Coupling-magneto	OHC	26.33
785-B	Shim-magneto drive	New	6.75
604-N	Shaft-accessory drive	OHC	237.15
599-B	Gear-magneto drive	New	48.33
605-B	Deflector-accessory drive shaft	OHC	14.40
606	Circlip-accessory drive deflector	New	1.80

611-C	Gear-accessory drive	New	45.00
212	Ring-accessory shaft oil seal	New	4.73
263	Bearing-accessory drive shaft	New	31.46
1921-B	Gear-starter drive	New	59.40
1925	Gear-generator drive bevel	OHC	61.12
1920-B	Gear-starter	New	65.93
1946-B	Bearing-starter drive	New	29.90

IGNITION HARNESS-UNSHIELDED

1141-M	Ignition harness-unshielded	OHC	395.00
587-CA	Manifold assembly-right hand	OHC	72.00
753-CA	Manifold assembly-left hand	OHC	72.00
7mm	Ignition wire-unshielded/foot	New	1.95
AN661	Connecticut terminal	New	5.31
1671	Distributor cap-left	New	98.55
1437	Distributor cap-right	New	98.55
949-BB	Plate-distributor insulating-right	New	7.43
877-BB	Plate-distributor insulating-left	New	7.43

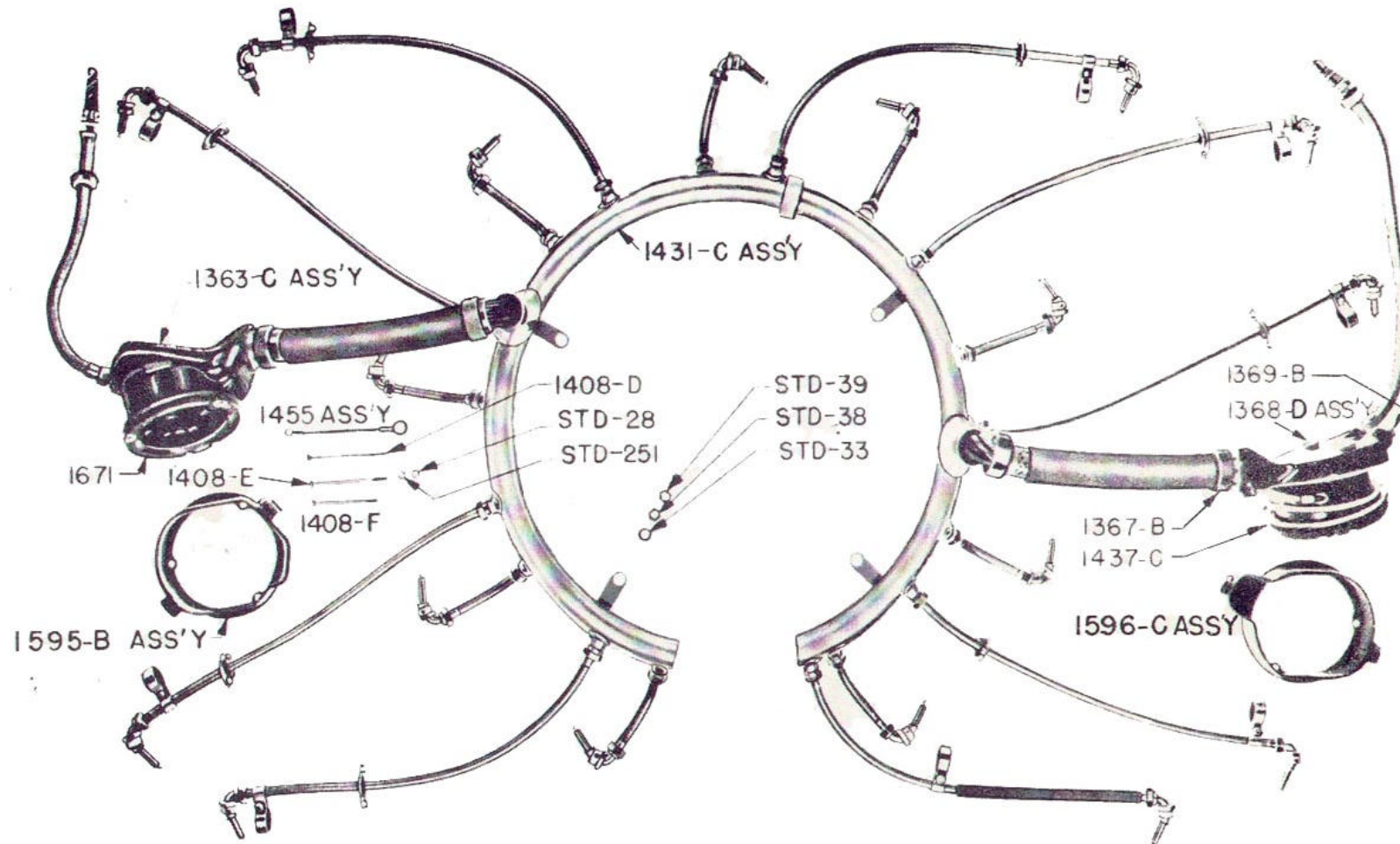


ACCESSORY DRIVE SHAFT AND MAGNETO ASSEMBLIES

R680 LYCOMING ENGINE PARTS

<u>Part No.</u>	<u>Description</u>	<u>Condition</u>	<u>Price</u>
<u>RADIO SHIELDED IGNITION HARNESS</u>			
1431-C	Shielded ignition harness-complete	OHC	1876.05
1367-B	Conduit assembly-large	OHC	98.55
1455-HT	Hi-tension lead assembly dist-mag.	OHC	87.50
401	Lead assembly-shielded front	OHC	20.25
1700	Lead assembly-shielded rear	OHC	31.75

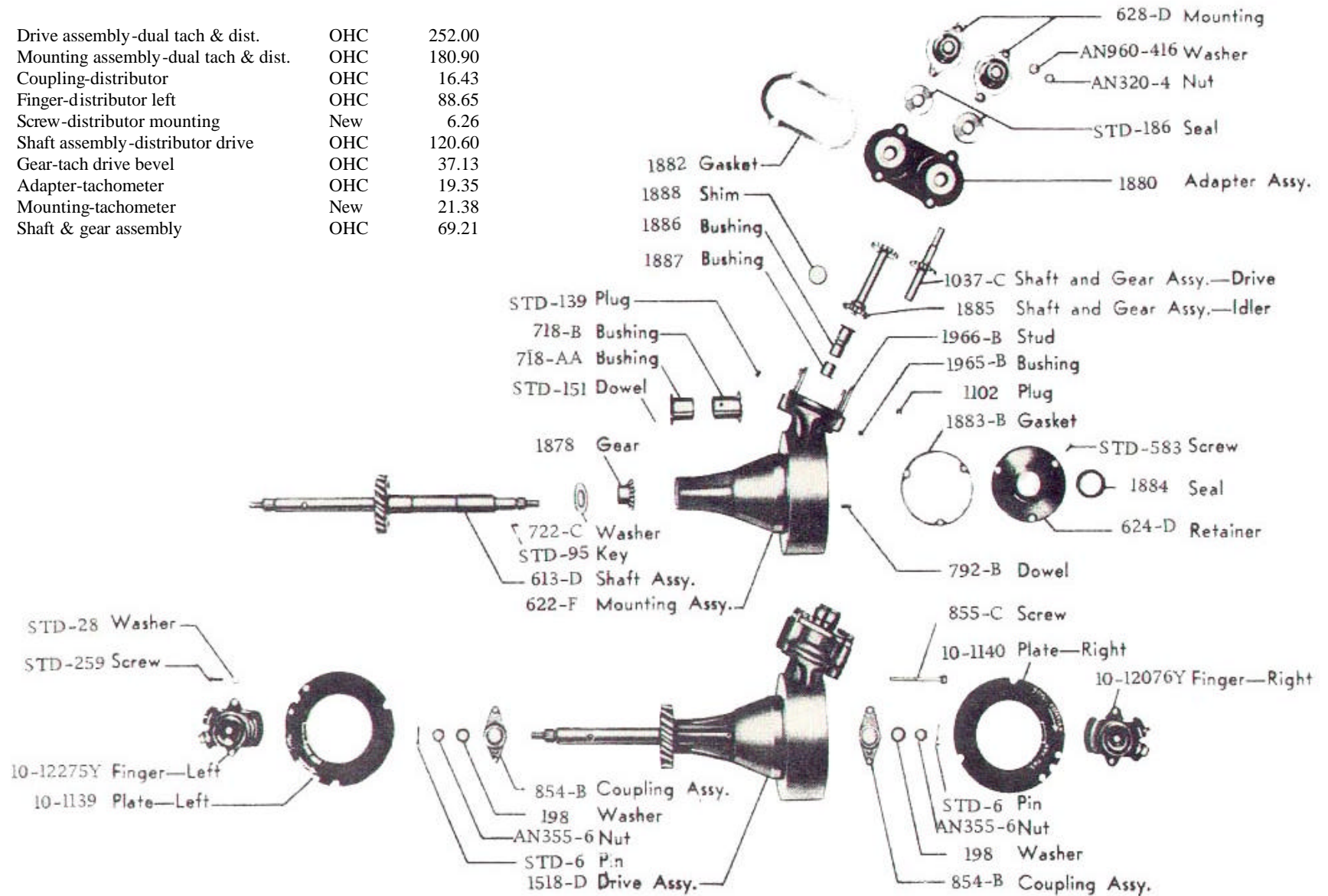
<u>Part No.</u>	<u>Description</u>	<u>Condition</u>	<u>Price</u>
1595-B	Shield assembly-left distributor	OHC	163.35
1596-C	Shield assembly-right distributor	OHC	163.35
1363-C	Cap assembly-left dist. shield	OHC	78.98
1368-D	Cap assembly-right dist. shield	OHC	78.98
1671	Distributor cap-left	New	98.55
1437	Distributor cap-right	New	98.55
1408-D	Screw-distributor cap	New	7.16
1408-E	Screw-distributor cap 3.1875"	New	7.16
1408-F	Screw-distributor cap 2.6875"	New	7.16



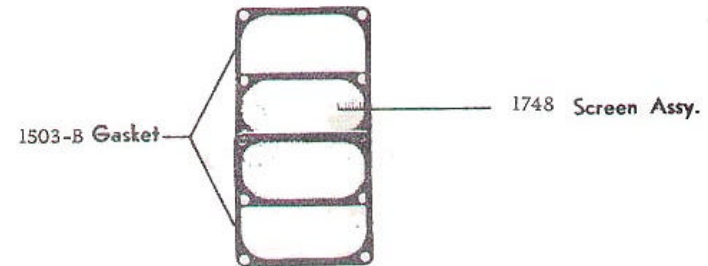
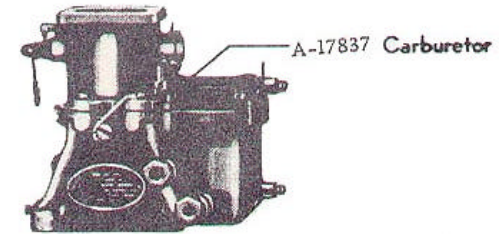
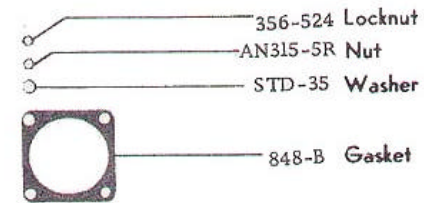
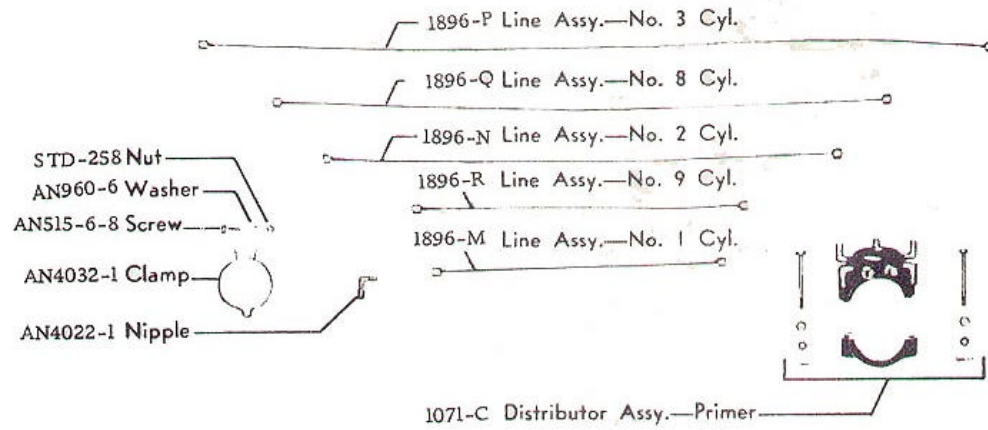
RADIO IGNITION SHIELDING ASSEMBLY

DUAL TACHOMETER & DISTRIBUTOR DRIVE

<u>Part No.</u>	<u>Description</u>	<u>Condition</u>	<u>Price</u>
1518-H	Drive assembly-dual tach & dist.	OHC	252.00
622-J	Mounting assembly-dual tach & dist.	OHC	180.90
854-B	Coupling-distributor	OHC	16.43
678-C	Finger-distributor left	OHC	88.65
855-C	Screw-distributor mounting	New	6.26
613-D	Shaft assembly-distributor drive	OHC	120.60
1878	Gear-tach drive bevel	OHC	37.13
1879-B	Adapter-tachometer	OHC	19.35
628-D	Mounting-tachometer	New	21.38
1037-C	Shaft & gear assembly	OHC	69.21



Dual Tachometer and Distributor Drive Assembly



CARBURETOR & PRIMER SYSTEM

<u>Part No.</u>	<u>Description</u>	<u>Condition</u>	<u>Price</u>
NAR-7A	Carburetor assembly (300 HP)	exchange OHC	625.00
		outright OHC	775.00
NAR-7B	Carburetor assembly (255 HP)	exchange OHC	625.00
		outright OHC	775.00
1748-B	Screen assembly-carburetor air	OHC	31.50
1071-C	Distributor primer	OHC	43.20
STD-149	Elbow-primer line	New	4.95
1896-M	Primer line, cylinder #1	New	18.50
1896-N	Primer line, cylinder #2	New	20.50

Carburetor Assembly and Primer Distributor

R680 LYCOMING ENGINE PARTS

<u>Part No.</u>	<u>Description</u>	<u>Condition</u>	<u>Price</u>
<u>ACCESSORIES</u>			
397-13	E80 12V direct drive starter	exchange	OHC 845.00
		outright	OHC 1525.00
E7A	Generator 12V	exchange	OHC 475.00
		outright	OHC 600.00
6565T	Jasco alternator kit	outright	New 775.00
1Q12	Prop governor	exchange	OHC 525.00
		outright	OHC 650.00
3P207	Vacuum pump	exchange	OHC 400.00
		outright	OHC 525.00
2PR400BRD	Fuel pump	exchange	OHC 585.00
		outright	OHC 720.00

GASKETS

MOHG-L-300	300 HP major overhaul gasket and seal set		355.00
MOHG-L-225	225 HP major overhaul gasket and seal set		375.00
TOHG-L-300	300 HP top overhaul gasket set		232.65
TOHG-L-225	225 HP top overhaul gasket set		251.10
Lyc-2-225	225 HP single cylinder gasket set		27.90
Lyc-2-300	300 HP single cylinder gasket set		25.85

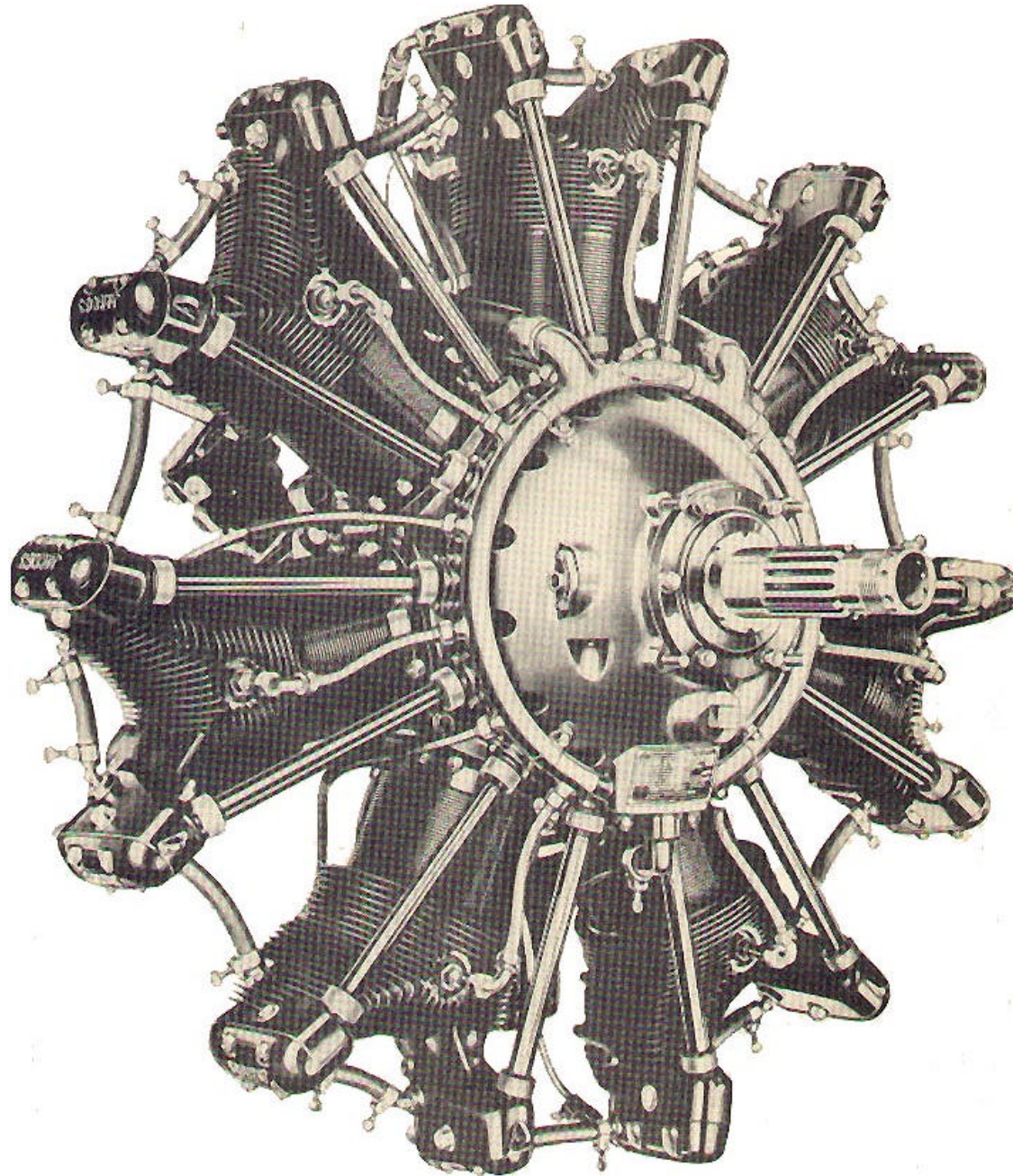
(All individual gaskets are also available. Call with your needs.)

MANUALS

DFN-M	Magneto manual-parts and overhaul	15.20
NAR7-M	Carburetor manual-parts and overhaul	21.25
R-680-13-P	R680-13 Parts manual	23.90
R-680-13-O	R680-13 Overhaul manual	27.50
R-680-17-P	R680-17 Parts manual	24.60
R-680-17-O	R680-17 Overhaul manual	28.70
397-13 m	E-80 parts and overhaul manual	24.75
R-680-Op	R680 operators manual	28.70

TOOLS

R680-1	Thrust nut wrench	165.00
R680-2	Cylinder base nut wrench	23.30
R680-3	Intake pipe nut wrench	43.70
R680-4	Valve spring compressor	70.20
R680-5	Crankshaft aligning bar	20.50
R680-6	Puller-front case	165.00
R680 Turning	Crankshaft turning bar	110.00



JACOBS R755

JACOBS R755

TABLE OF SPECIFICATIONS

<u>Model</u>	<u>L6MB</u>	<u>R755-9</u>	<u>R755-B2</u>	<u>R755-A2</u>
Rated HP	330	245 @ 2200	275 @ 2200	300 @ 2200
Minimum fuel octane rating	73	73	80	80
Magneto timing	R-30 BTDC L-30 BTDC	R-30 BTDC L-30 BTDC	R-31 BTDC L-31 BTDC	R-31 BTDC L-31 BTDC
Bore	R755 Series..... 5.25"			
	L6MB..... 5.5"			
Oil pressure.....	80-90 psi above 1400 rpm			
Firing order.....	1-3-5-7-2-4-6			
Master rod location.....	#1 cylinder			
Valve clearance.....	.008" (cold) intake & exhaust			
Maximum oil outlet temperature.....	200 F.			
Valve timing.....	(set valve clearance #1 cyl. to .040" exhaust & .035" intake)			

intake closes - 62 ABC
intake opens - 21 BTC
exhaust closes - 12 ATC
exhaust opens - 62 BBC

JACOBS R755

TOP OVERHAUL CYLINDER KIT

Includes the following:

- (7) cylinders (chrome or nuchrome) overhauled complete with valves, springs, and rocker arms - certified and yellow tagged.
- New piston ring set.
- Top overhaul gasket and hose set.

PRICES

Channel chrome cylinders - \$4555.00 Exchange

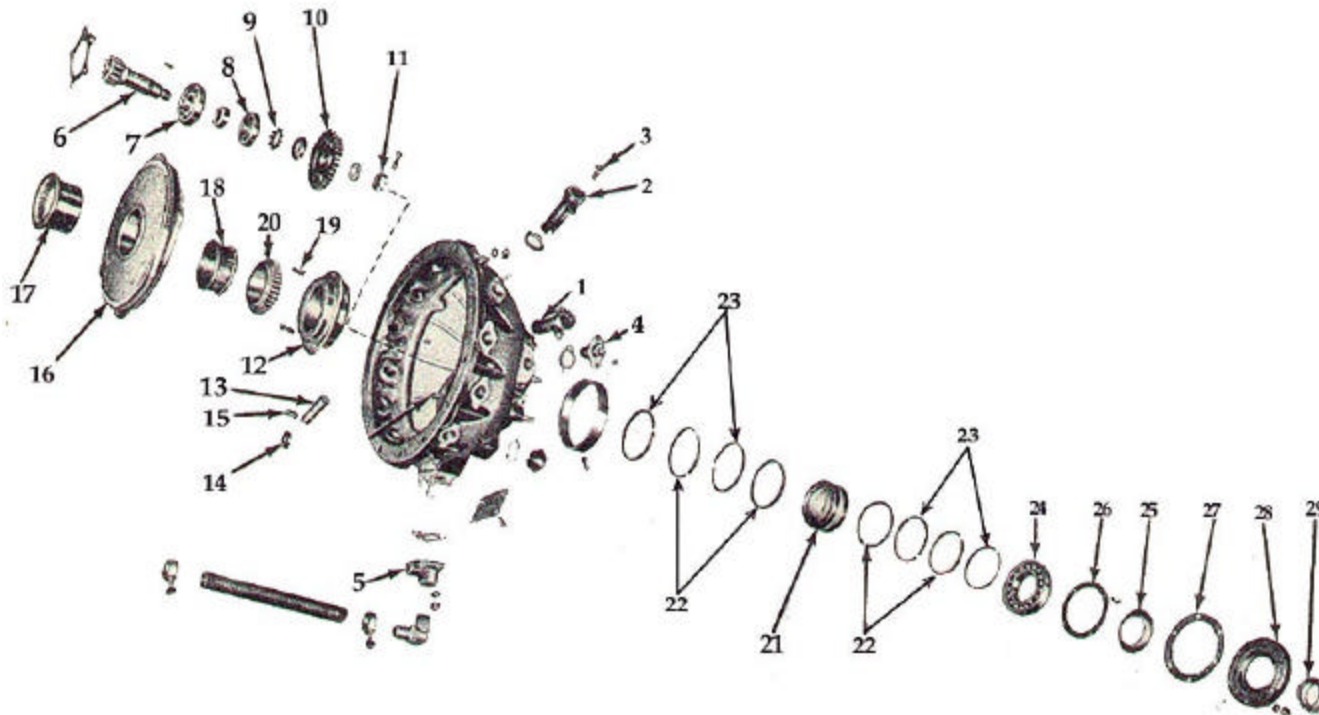
Nuchrome cylinders - \$4695.00 Exchange

R755 JACOBS ENGINE PARTS

FRONT CASE ASSEMBLY

<u>Fig.#</u>	<u>Part No.*</u>	<u>Description</u>	<u>Condition</u>	<u>Price</u>
	4000B (90057)	Nose case (stud assembly)	OHC	675.00
1	4009 (644D)	Cam follower guide-ex	New	25.00
2	4010 (645D)	Cam follower guide-in	New	25.00
3	4012 (370)	Screw	New	1.25
4	4014 (790)	Governor oil fitting	New	15.50
5	4017 (861)	Flange-sump pad	New	12.00
	4066A	Flange-sump pad	OHC	85.00
6	4022 (30295)	Cam drive pinion	New	155.00
7	4023 (378-4)	Bearing cam pinion rear	New	35.00
8	4025 (378)	Bearing cam pinion front	New	35.00
9	4026 (378-1)	Tab washer	New	1.75
10	4029 (30440)	Cam pinion drive gear	New	135.00
11	4031 (382A)	Nut, cam pinion	New	3.75
12	4036 (30061)	Outer oil seal	New	65.00
13	4037A (90006)	Tappet assembly	New	22.50
10	4039 (387)	Cam follower roller	New	5.50
11	4040 (388)	Roller pin	New	2.25
16	4041A (90007)	Cam assembly	New	350.00
	4041A (90007)	Cam assembly	OHC	195.00
17	4044 (30028)	Cam bearing	New	37.80
18	4045 (355)	Cam spacer	New	9.00
19	4012 (370)	Screw	New	1.25
20	4047 (30330)	Timing gear	New	245.00
21	4048 (30060)	Inner oil seal	New	50.50
22	4050 (589-1)	Oil seal ring-iron	New	3.25
23	4049 (589-2)	Oil seal ring-bronze	New	3.25
24	4051 (351B)	Thrust bearing	New	125.00
25	4052 (350)	Oil slinger	New	7.50
26	4053 (30300)	Spacer	New	12.90
27	4055 (834B)	Shim	New	4.50
28	4056 (301F)	Thrust bearing cover	New	18.75
29	4057 (348B)	Thrust nut	New	57.50

* All part numbers shown are late numbers followed by earlier (L4MB) numbers.



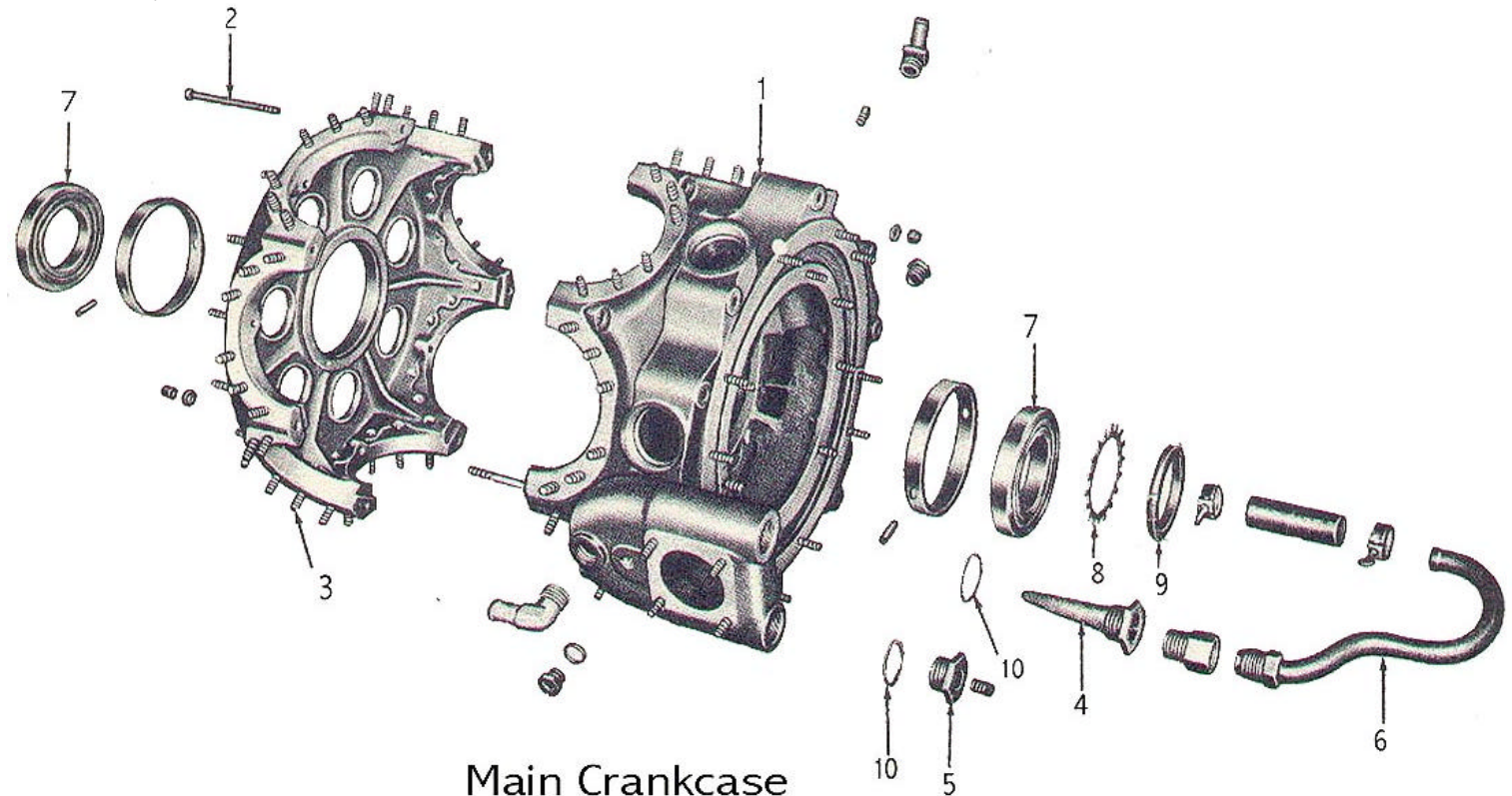
Front Case

R755 JACOBS ENGINE PARTS

MAIN CRANKCASE

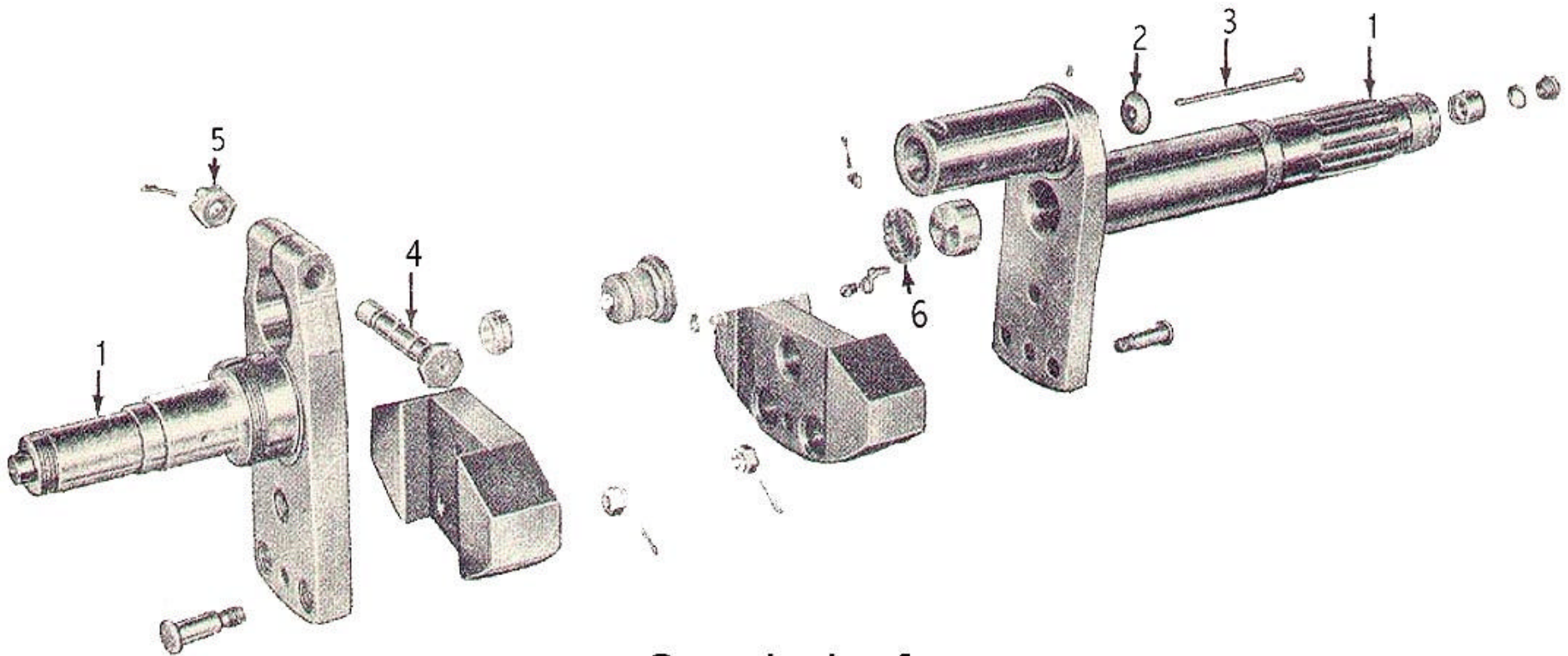
<u>Fig.#*</u>	<u>Part No.*</u>	<u>Description</u>	<u>Condition</u>	<u>Price</u>
1	90113	Crankcase assy (L4MB & B2)	New	1250.00
	90113	Crankcase assy (L4MB & B2)	OHC	975.00
	4100A	Crankcase assy (A2)	OHC	3500.00
2	4105	Bolt, crankcase clamp	New	5.25
3	4109	Stud, cylinder hold down	New	3.25
4	4116A	Oil screen (A2)	New	25.50
5	4119 (709)	Plug, oil sump drain	New	9.10
6	4121A (90124)	Tube, oil pump to sump	New	35.00
7	4124 (357R)	Bearing, main	New	175.00
8	4125 (352B)	Tab washer	New	3.95
9	4126 (359)	Nut, main bearing retaining	New	12.70
10	AN90020	Crush gasket	New	3.10

*All part numbers shown are late numbers followed by earlier (L4MB) numbers.



CRANKSHAFT ASSEMBLY

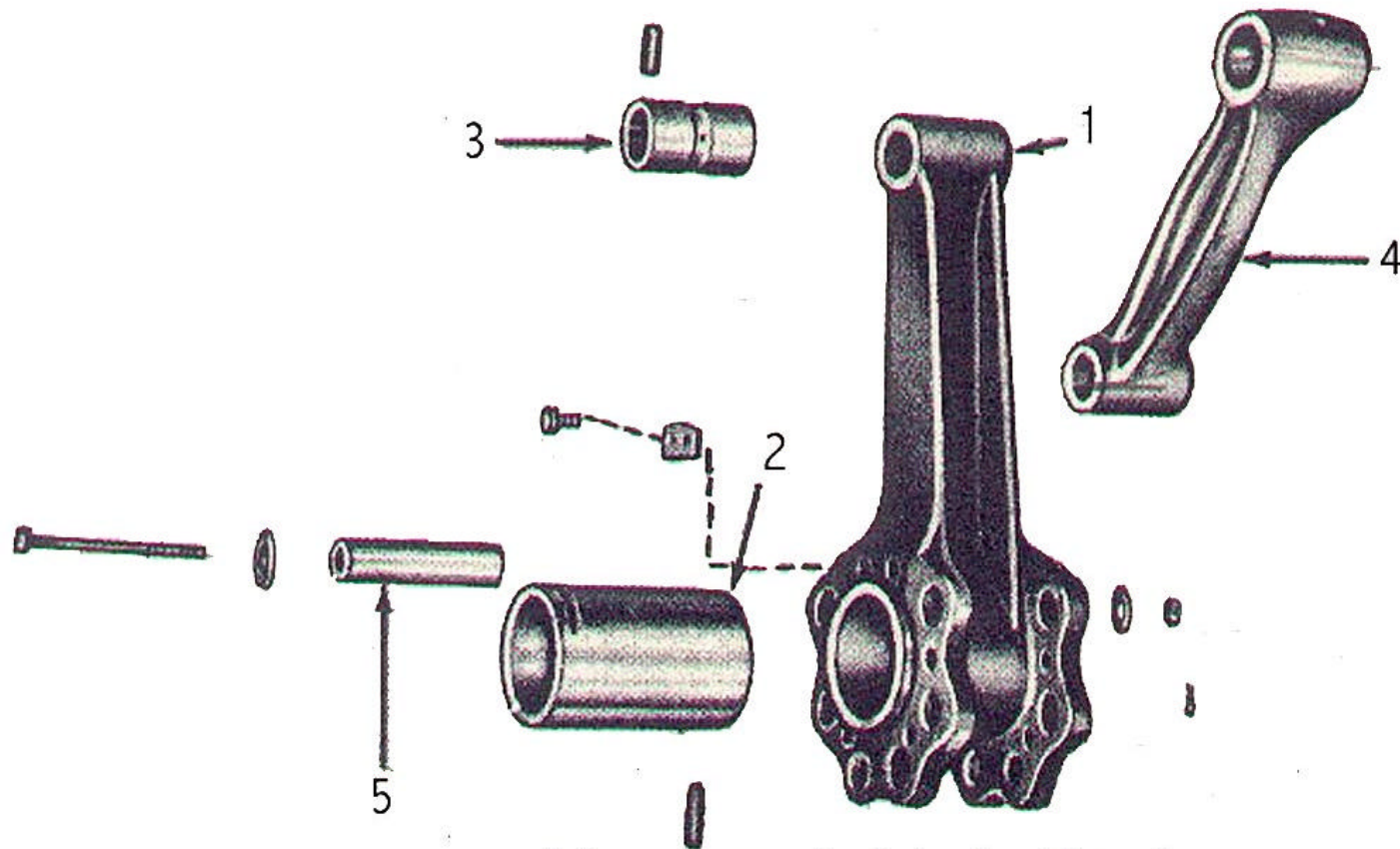
<u>Fig.#</u>	<u>Part No.*</u>	<u>Description</u>	<u>Condition</u>	<u>Price</u>
1	4200B (90312)	Crankshaft	New	2250.00
	4200B (90312)	Crankshaft	OHC	1750.00
2	4209 (804B)	Plug-crankpin	New	7.25
3	4210 (805B)	Bolt, crankpin through	New	6.75
4	4212 (30100)	Bolt, crank clamp	New	26.90



Crankshaft

MASTER AND LINK ROD ASSEMBLY

<u>Fig.#</u>	<u>Part No.*</u>	<u>Description</u>	<u>Condition</u>	<u>Price</u>
1	4250B (90118)	Master rod w/bearing	OHC	475.00
	4250B (90118)	Master rod w/bearing	New	725.00
2	4251 (368B)	Master rod bearing	New	87.50
3	4253 (371)	Bushing-M/R piston pin	New	22.50
4	4256 (375F)	Link rod	New	345.00



Master & Link Rod

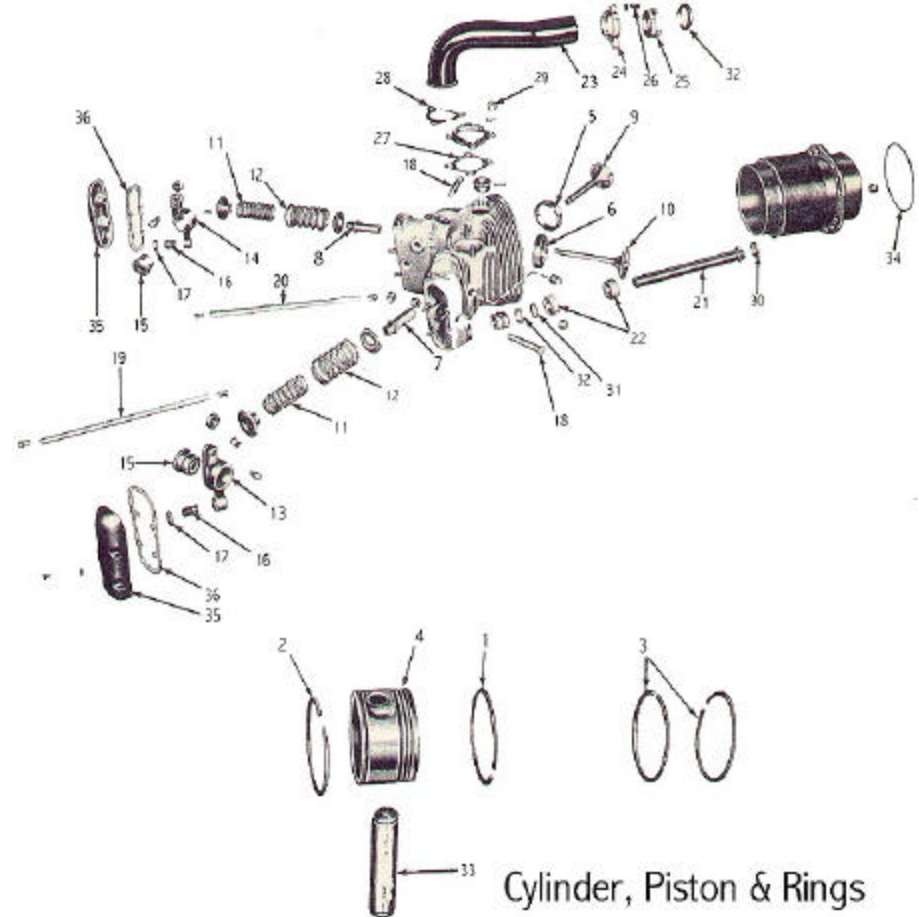
R755 JACOBS ENGINE PARTS

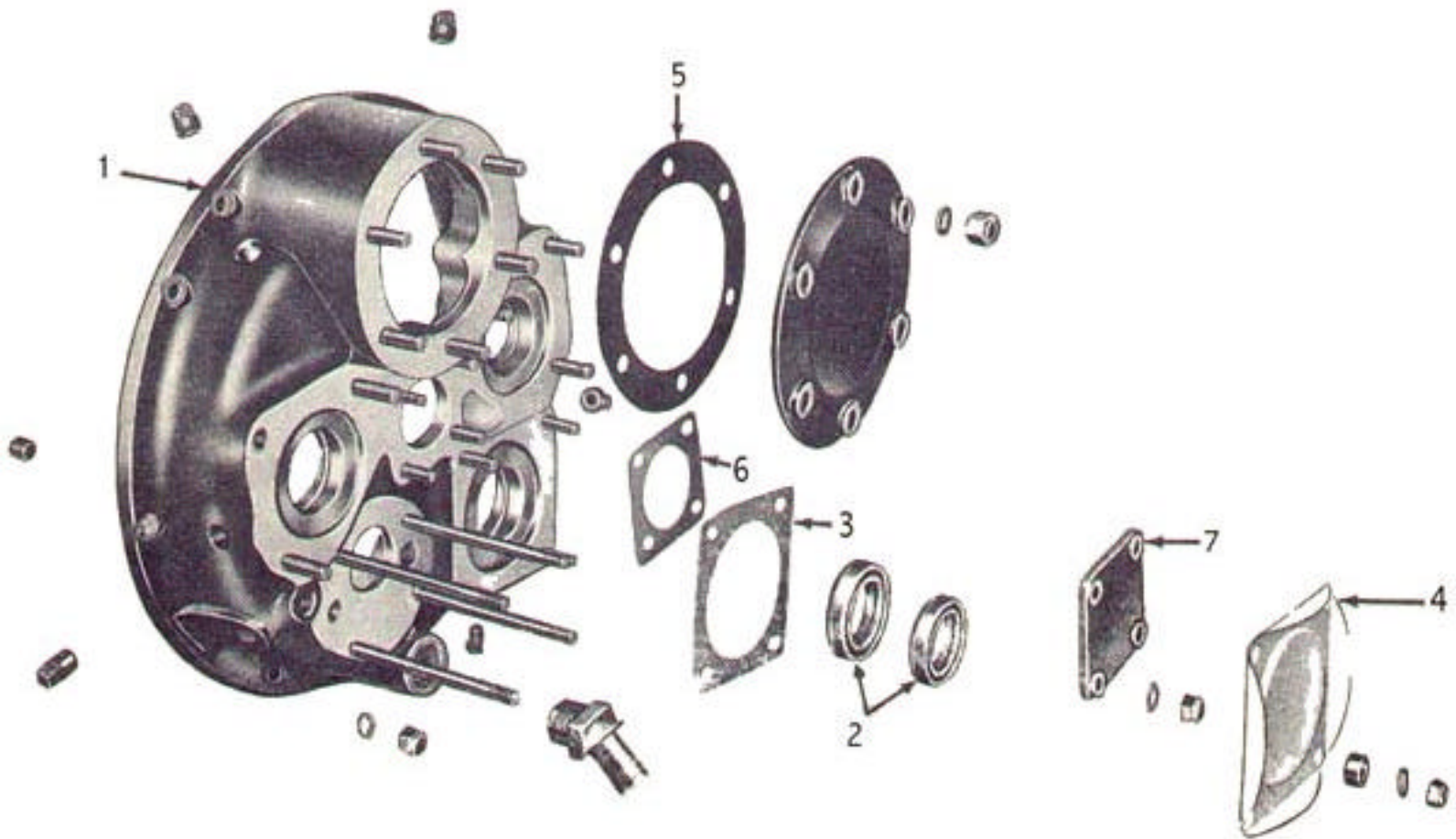
CYLINDER

<u>Fig.#</u>	<u>Part No.*</u>	<u>Description</u>	<u>Condition</u>	<u>Price</u>
	4352A	Cylinder assembly (complete) A2	OHC	625.00
	4352B	Cylinder assembly (stud assy) A2	OHC	495.00
	90695	Cylinder assembly (complete) B2	OHC	625.00
	90696	Cylinder assembly (stud assy) B2	OHC	495.00
	90267	Cylinder assembly (complete) L4MB	OHC	625.00
	90381	Cylinder assembly (stud assy) L4MB	OHC	495.00
1	4272	Ring, oil control	New	13.25
2	4273	Ring, oil scraper	New	10.05
3	4275	Ring, compression (wedge type)	New	9.90
4	4276	Piston (R755 A2 & B2)	OHC	205.00
	4276	Piston (R755 A2 & B2)	New	295.00
	392	Piston (L4MB)	New	45.00
5	4301	Seat-exhaust valve	New	32.50
6	4302	Seat-intake valve	New	32.50
7	4309	Guide-exhaust valve	New	18.75
8	4310	Guide-intake valve	New	18.75
9	4313	Valve-exhaust	New	95.00
	4313	Valve-exhaust	OHC	55.00
10	4314	Valve-intake	New	65.00
11	4317	Spring, inner valve	New	8.25
12	4318	Spring, outer valve	New	8.25
13	4322A	Rocker arm assembly-ex	New	56.50
14	4323A	Rocker arm assembly-in	New	56.50
15	4326	Bearing, rocker arm	New	14.75
16	4327	Screw-adjuster	New	12.00
17	4328	Nut, valve adjuster lock	New	3.75
18	4329	Shaft, rocker arm	New	9.75
19	4334A	Push rod, exhaust	New	18.50
20	4335A	Push rod, intake	New	18.50
21	4337	Push rod tube	OHC	25.00
	4337	Push rod tube-chrome	OHC	35.00
22	4340	Nut, push rod knurled	New	6.50
23	4342	Intake pipe	OHC	22.50
24	4343	Flange, intake pipe	New	4.50
25	4345	Gland nut, intake pipe	New	8.75
26	4346	Bolt, intake pipe flange	New	.75
27	4347	Gasket, exhaust port	New	4.95
28	4341	Gasket, intake port	New	1.75
29	4349	Nut, brass exhaust	New	.95
30	4338	Packing, push rod tube	New	.95
31	4339	Washer, push rod tube	New	1.75
32	4344	Packing, intake pipe	New	1.60
33	4265A	Piston pin assembly	New	43.50

<u>Fig.#</u>	<u>Part No.</u>	<u>Description</u>	<u>Condition</u>	<u>Price</u>
34	4333	O-Ring-cylinder base	New	1.10
35	4332	Rocker cover, "Jacobs" embossed	New	12.75
	4401	Rocker cover, C195 lower	OHC	37.50
	4402	Rocker cover #1 intake	New	12.75
	853	Rocker cover #5 ex (deep)	New	12.75
36	4331	Gasket, rocker cover	New	1.95
	4961A	Complete ring set (A2/B2)	New	375.00
	Jac-1	Single cylinder ring set (A2/B2)	New	55.50
	R755-9-R	Complete ring set (L4MB)	New	110.00
	Jac-9-1	Single cylinder ring set (L4MB)	New	16.50
	Jac-2	Single cylinder gasket set	New	13.25
	TOHG-J	TOH gasket set	New	70.00

*All part numbers are late numbers followed by earlier (L4MB) numbers.





R755 JACOBS ENGINE PARTS

Rear Case

REAR CASE

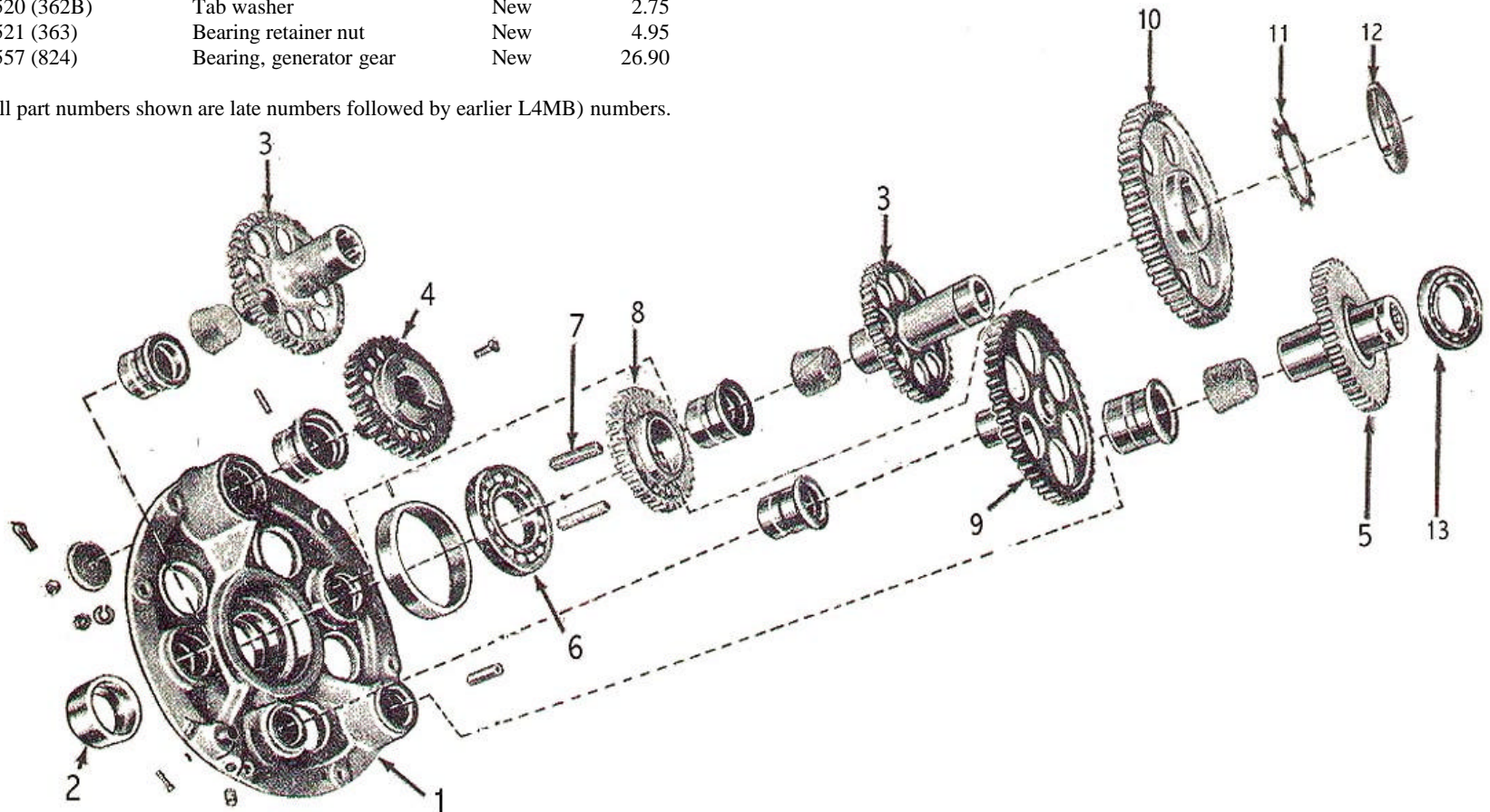
<u>Fig.#</u>	<u>Part No.*</u>	<u>Description</u>	<u>Condition</u>	<u>Price</u>
1	4550A (90347)	Rear accessory case assembly	New	345.00
2	4558 (20005)	Seal, generator & magneto	New	6.65
3	4560 (AN4044-1)	Gasket, generator mounting	New	1.80
4	4561 (30074)	Cover, generator pad	New	6.77
5	4563 (AN4047-1)	Gasket, starter mounting	New	1.95

R755 JACOBS ENGINE PARTS

REAR INTERMEDIATE BEARING PLATE

<u>Fig.#</u>	<u>Part No.*</u>	<u>Description</u>	<u>Condition</u>	<u>Price</u>
1	4500A (90012)	Intermediate bearing plate	OHC	375.00
2	4502 (309B)	Oil feed bushing	New	37.50
3	4512 (90030)	Gear, magneto drive	New	45.00
4	4509 (336B)	Gear, starter drive	New	75.00
5	4513A (90313)	Gear, generator drive	New	77.50
6	4515 (739)	Bearing, rear crankshaft	New	35.50
7	4516 (513)	Key, magneto drive gear	New	1.75
8	4517 (601)	Gear, magneto & accy drive	New	67.50
9	4518 (329)	Gear, oil pump drive	New	55.00
10	4519 (30098)	Gear, crankshaft cluster	New	85.20
11	4520 (362B)	Tab washer	New	2.75
12	4521 (363)	Bearing retainer nut	New	4.95
13	4557 (824)	Bearing, generator gear	New	26.90

*All part numbers shown are late numbers followed by earlier L4MB) numbers.



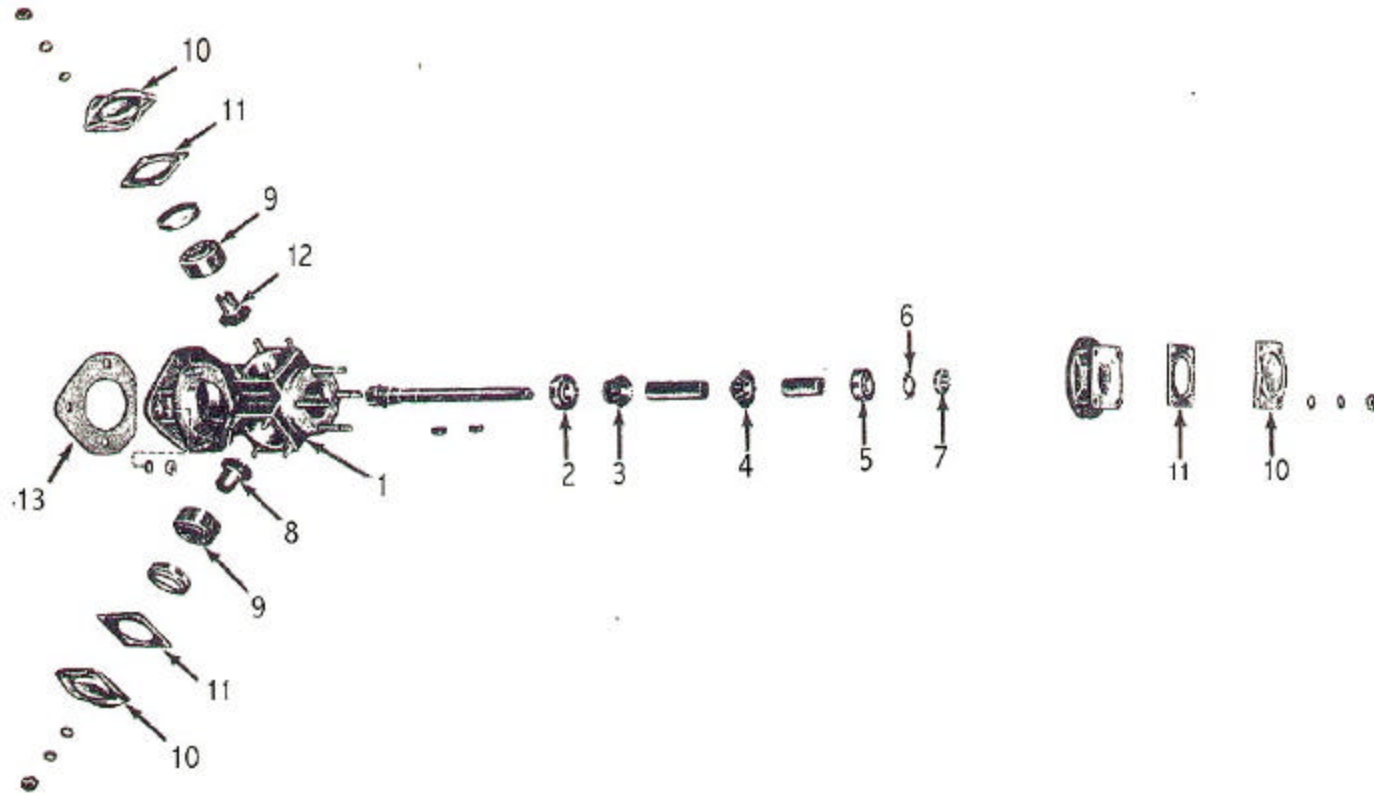
Rear Intermediate Bearing Plate

ACCESSORY DRIVE HOUSING

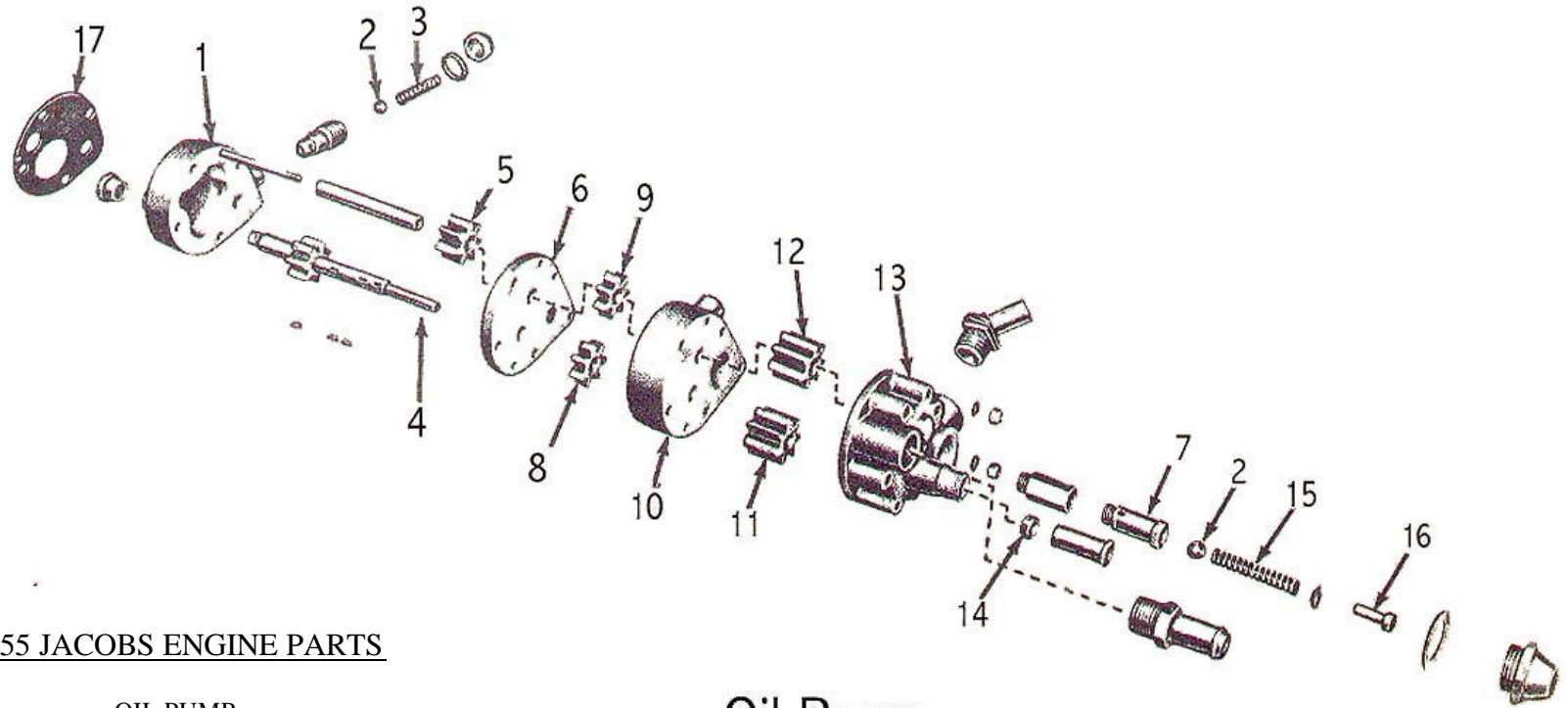
<u>Fig.#</u>	<u>Part No.*</u>	<u>Description</u>	<u>Condition</u>	<u>Price</u>
	4626A	Accessory drive assembly	OHC	475.00
	4600A (90302)	Accessory drive assembly	OHC	325.00
1	4627A	Accessory drive housing	New	225.00
	4601A (90306)	Accessory drive housing	New	110.00
2	4605 (754)	Bearing-accessory drive front	New	7.70
3	4607 (742)	Gear-distributor drive	New	31.25
4	4609 (780)	Gear-accessory drive	New	33.50
5	4611 (755)	Bearing accessory drive rear	New	8.75
6	4612 (757)	Tab washer	New	1.25
7	4613 (756)	Nut-lock (tab)	New	1.95
8	4616 (781-1)	Gear-governor drive	New	30.25
9	4617 (673)	Bearing vac pump & gov. drive	New	135.50
10	4620 (760D)	Cover, accessory drive	New	5.75

ACCESSORY

<u>Model</u>	<u>Description</u>	<u>Exchange</u>	<u>Outright</u>
NAR7A	Carburetor- OHC	625.00	775.00
VMNTDF-5	Magneto- OHC	575.00	725.00
WL-7A	Distributor- OHC	575.00	725.00
397-13	E-80 Starter- OHC	845.00	1525.00
L2	Generator- OHC	475.00	600.00
6555T	Jasco alternator kit- New	—	775.00
1A4G5	Governor- OHC	525.00	650.00
3P194	Vacuum pump- OHC	400.00	525.00
2PR400BLYA	Fuel pump- OHC	585.00	720.00



Accessory Drive

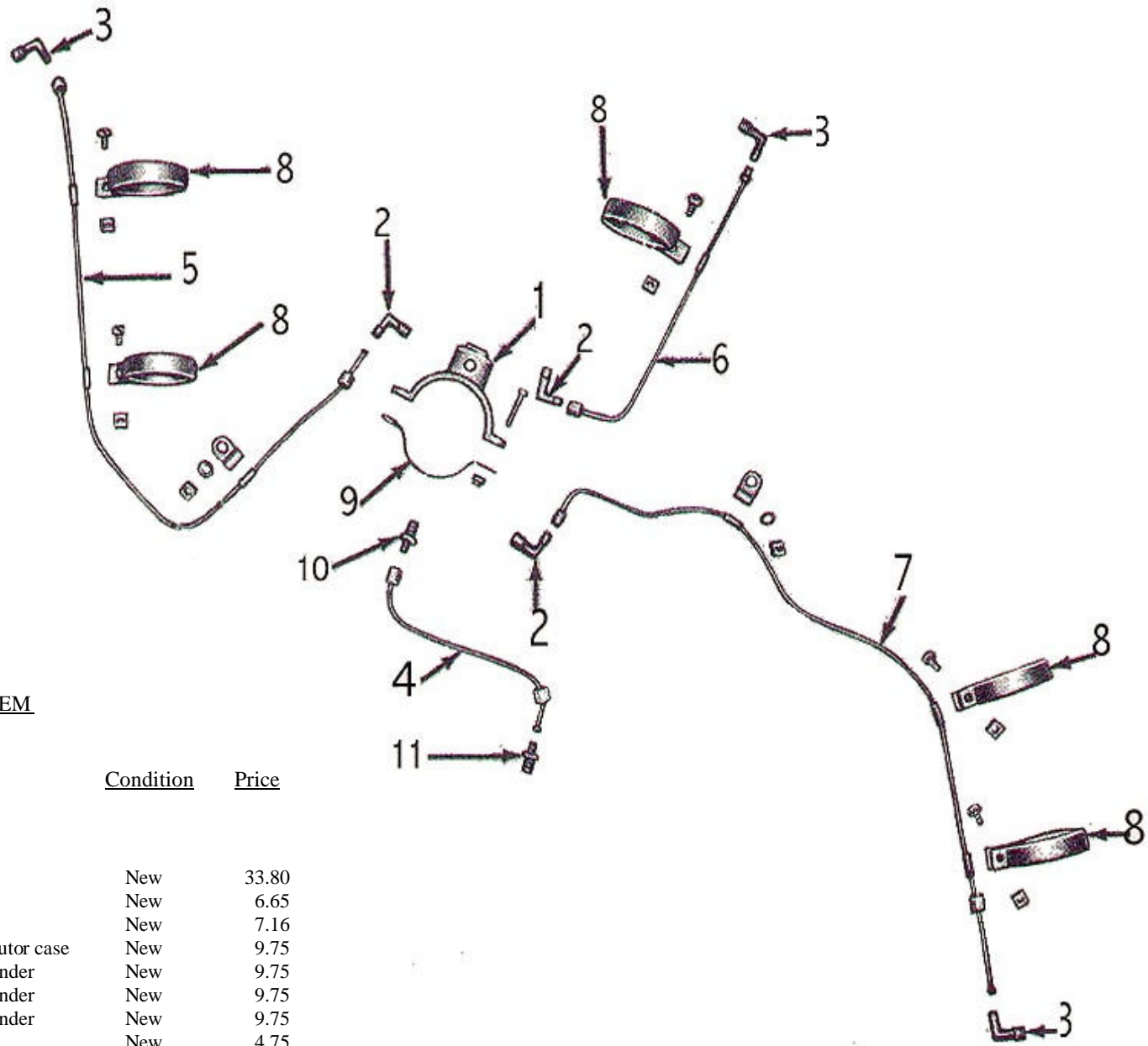


R755 JACOBS ENGINE PARTS

OIL PUMP

Oil Pump

<u>Fig.#</u>	<u>Part No.*</u>	<u>Description</u>	<u>Condition</u>	<u>Price</u>
1	4701A (90091)	Body-oil pressure section	New	45.00
2	4705 (815)	Ball, pressure relief & check	New	1.50
3	4706 (838B)	Spring, check valve	New	3.75
4	4709 (320F)	Shaft, oil pump drive	New	175.00
5	4711 (322D)	Gear, pressure idler	New	32.00
6	4712 (316B)	Plate-oil pump intermediate	New	30.50
7	4714 (326B)	Body-relief valve	New	66.25
8	4715 (324-1D)	Gear-scavenge rocker drive	New	37.20
9	4716 (323-1D)	Gear-scavenge rocker idler	New	35.50
10	4717 (317-1B)	Body-scavenge	New	42.20
11	4718 (324D)	Gear-scavenge drive	New	36.20
12	4719 (323D)	Gear-scavenge idler	New	36.50
13	4720 (317B)	Body-scavenge	New	45.90
14	4721 (318B)	Packing, oil pump drive shaft	New	1.95
15	4723 (327)	Spring, oil pressure relief	New	3.75
16	4725 (766B)	Guide-relief valve	New	8.20
17	4568 (443)	Gasket-oil pump mounting	New	1.95
	4700A (90290)	Oil pump assembly	New	650.00
	4700A (90290)	Oil pump assembly	OHC	475.00



PRIMING SYSTEM

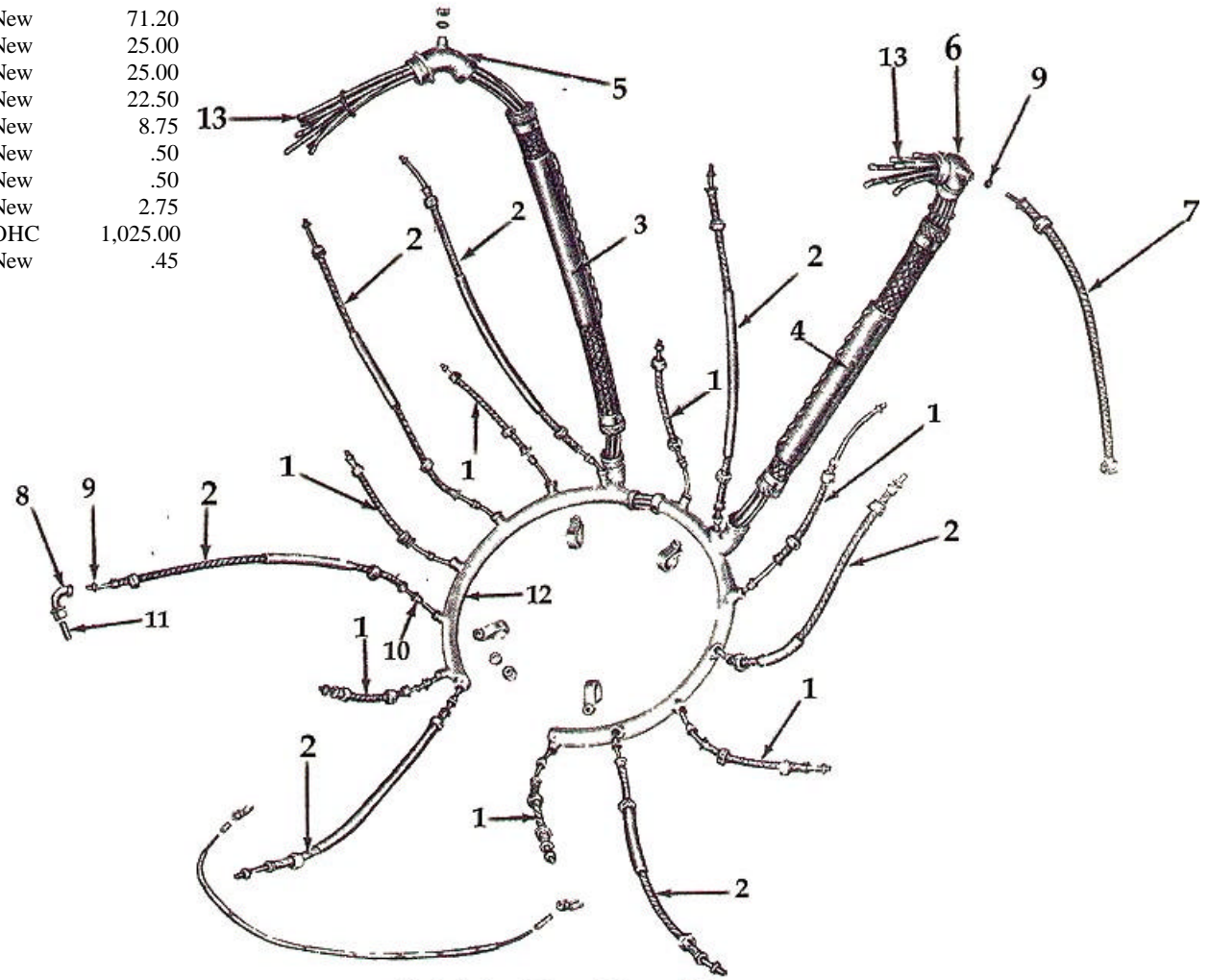
<u>Fig.#</u>	<u>Part No.*</u>	<u>Description</u>	<u>Condition</u>	<u>Price</u>
1	4751 (923B)	Primer distributor	New	33.80
2	4757 (928)	Elbow-open	New	6.65
3	4758 (927)	Elbow-jetted	New	7.16
4	4759A (90035)	Primer line-distributor case	New	9.75
5	4760A (90177)	Primer line-#7 cylinder	New	9.75
6	4761A (90134)	Primer line-#1 cylinder	New	9.75
7	4762A (90135)	Primer line-#2 cylinder	New	9.75
8	4766 (925)	Primer line clamp	New	4.75
9	4752 (92381)	Strap-primer distributor	New	8.70
10	4755 (931)	Nipple-open (primer line)	New	5.95
11	4756 (30006)	Nipple-jetted (primer line)	New	5.95

Priming System

R755 JACOBS ENGINE PARTS

IGNITION MANIFOLD ASSEMBLY

<u>Fig.#</u>	<u>Part No.*</u>	<u>Description</u>	<u>Condition</u>	<u>Price</u>
1	4809 (30111)	Ignition lead-front	New	17.35
2	4810 (30038)	Ignition lead-rear	New	21.60
3	4813A (90364)	Ignition conduit-magneto	New	65.90
4	4814A (90223)	Ignition conduit-distributor	New	71.20
5	4818 (30045)	Elbow-magneto conduit	New	25.00
6	4819 (30314)	Elbow-distributor conduit	New	25.00
7	4828 (30070)	Conduit-coil to distributor	New	22.50
8	4832 (30110)	Elbow-spark plug	New	8.75
9	4824 (30048)	Grommet	New	.50
10	4820 (30047)	Grommet	New	.50
11	4833 (41B6831)	Terminal	New	2.75
12	4800A	Manifold assembly complete	OHC	1,025.00
13	4825 (30051)	Ferrule	New	.45



Shielded Ignition Harness

R755 JACOBS ENGINE

<u>Part No.*</u>	<u>Description</u>	<u>Condition</u>	<u>Price</u>
<u>MAGNETOS</u>			
VMN7DF5	Magneto assembly	OHC exchange	575.00
VMN7DF5	Magneto assembly	OHC outright	725.00
4854	Magneto shielding	OHC	98.75
10-25453	Breaker assembly VMN7DF	New	89.55
10-14857	Coil VMN7DF	New	71.55
10-13373Y	Condenser VMN7DF	New	41.85
10-13400	Rotating cylinder VMN7DF	New	155.25
10-18554	Magneto block VMN7DF (RH)	New	87.75
10-18555	Magneto block VMN7DF (LH)	New	87.75
VMN-P	P-Lead set		22.50
<u>DISTRIBUTOR</u>			
WL-7A	Distributor assembly	OHC exchange	575.00
WL-7A	Distributor assembly	OHC outright	725.00
10-3320	Contact assembly WL-7A	New	72.50
10-7713	Condenser assembly WL-7A	New	25.00
10-22529	Carbon brush WL-7A	New	12.00
10-33636	Finger WL-7A	New	65.50
10-16144-1	Battery coil WL-7A	Used Serv.	155.00
10-9862Y	Distributor head WL-7A	New	72.50
<u>GASKETS</u>			
R755-A2 or B2	Major overhaul gasket & seal set		82.50
<u>MANUALS</u>			
VMN-M	VMN7DF5 Magneto manual		17.90
NAR7-M	NAR7A Carburetor manual		26.75
WL7A-M	WL-7A Battery timer manual		9.75
R755-9-P	R755-9 Parts manual		23.50
R755-9-O	R755-9 Overhaul manual		23.50
R755-A2/B2-P	R755-A2/B2 Parts manual		26.75
R755-A2/B2-O	R755-A2/B2 Overhaul manual		25.75
R755-A2/B2-Op	R755-A2/B2 Operators manual		24.50
R755-Serv	Jacobs Service Bulletins		33.90

R915 / L6MB JACOBS ENGINE PARTS

For all R915 parts interchangeable with R755 parts, see R755 listing.

<u>Part No.</u>	<u>Description</u>	<u>Condition</u>	<u>Price</u>
90325	Crankshaft assembly	OHC	1975.00
90008	Crankcase assembly	New	1125.00
	Crankcase assembly	OHC	875.00
717-C	Bolt, crankcase clamp	New	6.95
1007	Bolt, crankpin	New	5.70
367-C	Master rod	New	395.00
375-G	Link rod	New	35.00
711-B	Piston	New	275.00
	Piston	OHC	155.00
30030	Piston pin	New	35.00
R915-R	Piston ring set - 7 cylinder	New	475.00
Jac-L6-1	Single cylinder ring set	New	69.00
90149	Cylinder stud assembly	New	625.00
	Cylinder stud assembly	OHC	460.00
404	Exhaust valve	New	85.00
702	Intake valve	New	40.00
704-B	Exhaust insert	New	27.50
640-C	Push rod tube	OHC	17.90
90253	Push rod-Exhaust	New	12.00
90252	Push rod-Intake	New	12.00
Any	Rocker cover	New	17.50
30176	Intake flange	New	11.50
MOH G-J-L6	Gasket & seal set	New	95.00
Jac-L6-2	Single cylinder gasket set	New	13.25
TOH G-J-L6	Top overhaul gasket set	New	70.00
<u>TOOLS</u>			
	Thrust nut wrench		165.00
T-409-10	Valve spring compressor		70.20
422-B	Screwdriver-valve adjust		15.25
569-7	Wrench-intake gland nut		17.95
T-786	Wrench-valve adjust locknut		12.50
T-6000	Timing gear puller		125.00
T-6056	Crankshaft aligning bar		22.75
T-7000	Puller-front case		165.00
T-SAE 20	Crankshaft turning bar		175.00
569-16	Cylinder base nut wrench		22.75